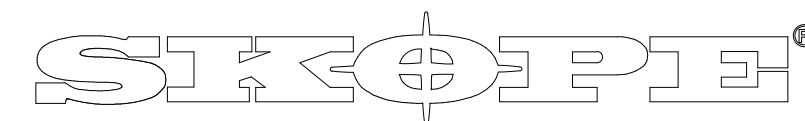
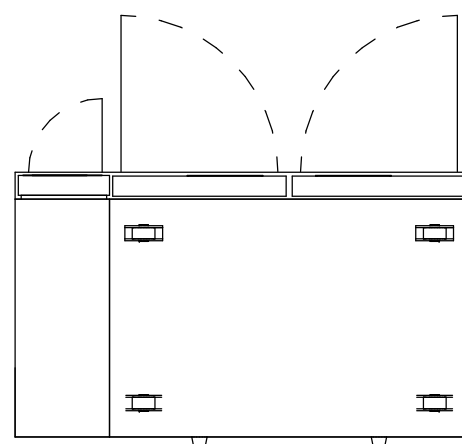
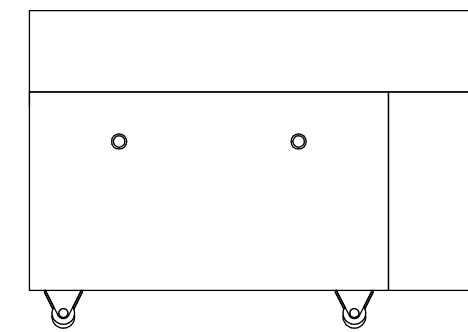
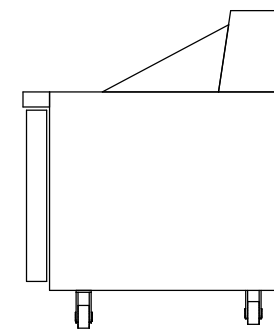
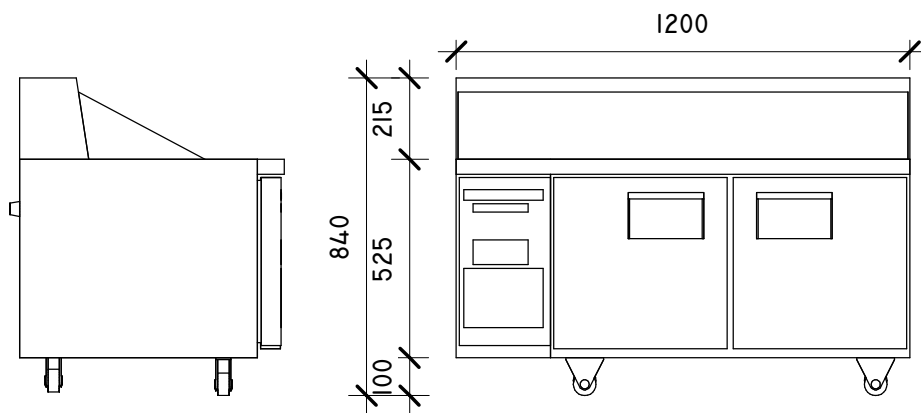


Cabinet Specifications:

| | |
|----------------------------|-------|
| Width (mm): | 1200 |
| Depth (mm): | 725 |
| Height (mm): | 840 |
| Weight (kg): | 105 |
| Electrical Power (kW): | 0 |
| Electrical Voltage (V): | 240 |
| Electrical Ampere (A): | 0 |
| Electrical Frequency (Hz): | 50 |
| MEPS TEC (kW): | 7.64 |
| Refrigerant: | R134a |
| Heat Load (kW): | 0 |
| Refrigeration in Power: | N/A |



Industries Limited

66 Princess St. PO Box 1091
Christchurch, New Zealand
New Zealand Freephone: 0900 947 5673
Australian Freephone: 1800 121 535
Email: enquiry@skope.co.nz
Website: www.skope.co.nz

| | | |
|--|-------------|----------------|
| Model: | | Scale 1:20 |
| BC120-C-2FFOS | | |
| Description: Horizontal, 2 door Prep Chiller with Integral, LH refrigeration services | | |
| Unless Otherwise Specified: | | Revision -- |
| Folded Dimensions: | Overall | |
| Linear Tolerances: | +/- 0.5mm | |
| Angular Tolerances: | +/- 0.5mm | |
| Units: | Millimetres | |
| Copyright © SKOPE Industries Limited | | |