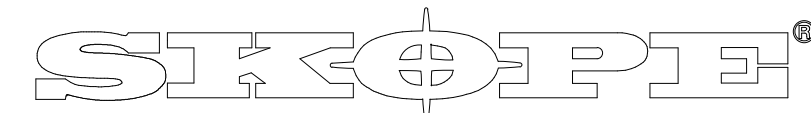
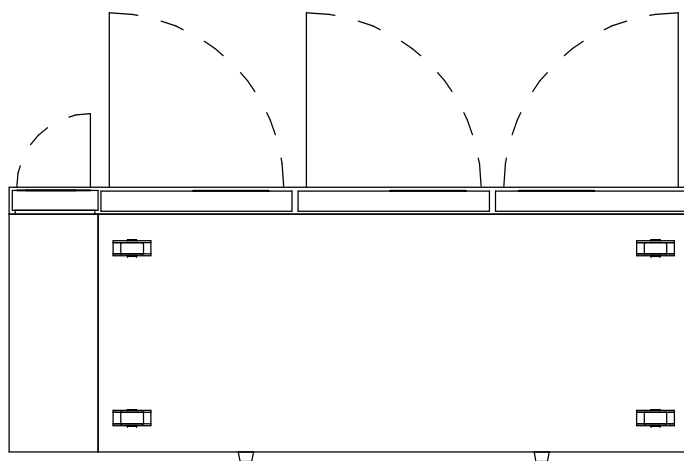
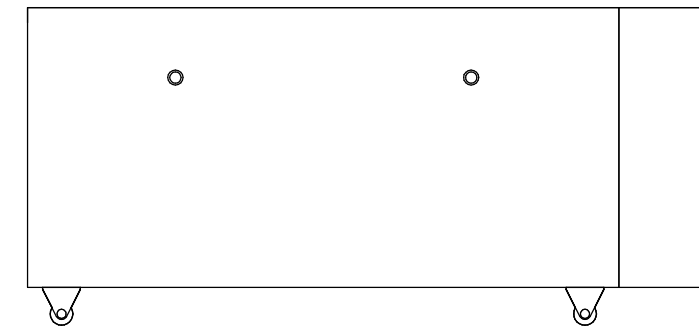
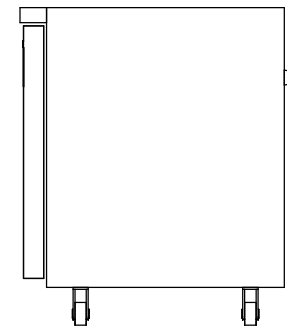
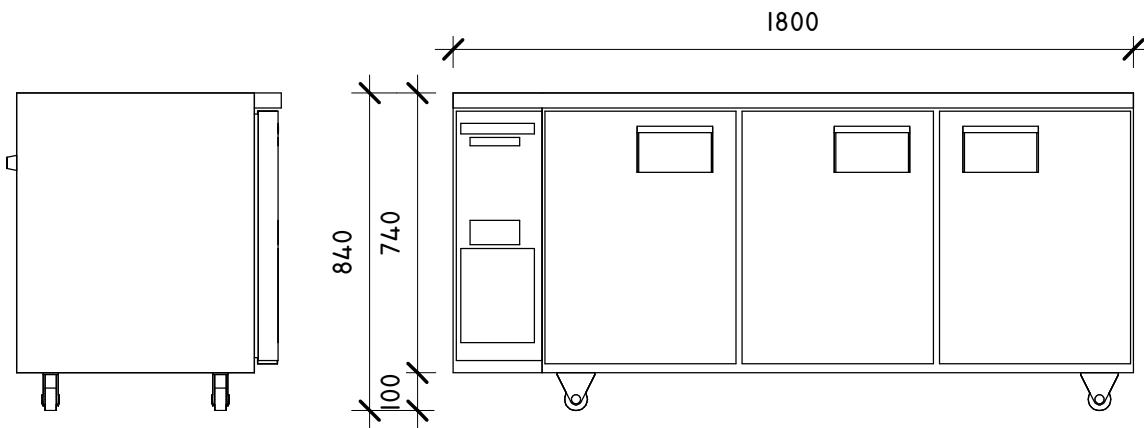


Cabinet Specifications:	
Width (mm):	1800
Depth (mm):	725
Height (mm):	840
Weight (kg):	148
Electrical Power (kW):	0
Electrical Voltage (V):	240
Electrical Ampere (A):	0
Electrical Frequency (Hz):	50
MEPS TEC (kW):	7.64
Refrigerant:	R134a
Heat Load (kW):	0
Refrigeration in Power:	N/A



## Industries Limited

66 Princess St. PO Box 1091  
 Christchurch, New Zealand  
 New Zealand Freephone: 0900 947 5673  
 Australian Freephone: 1800 121 535  
 Email: enquiry@skope.co.nz  
 Website: www.skope.co.nz

Model:		Scale
<b>BC180-C-3RRRS</b>		
Description:		1:20
Horizontal, 3 door Chiller with Integral, LH refrigeration services		
Unless Otherwise Specified:		Revision
Folded Dimensions:	Overall	
Linear Tolerances:	+/- 0.5mm	
Angular Tolerances:	+/- 0.5mm	
Units:	Millimetres	
Copyright © SKOPE Industries Limited		-.-