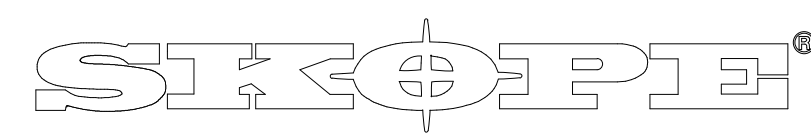
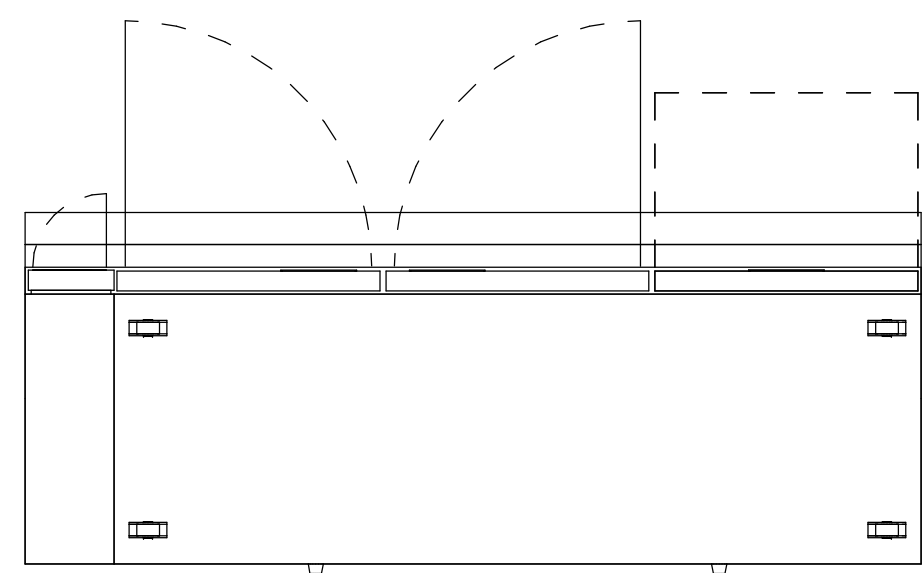
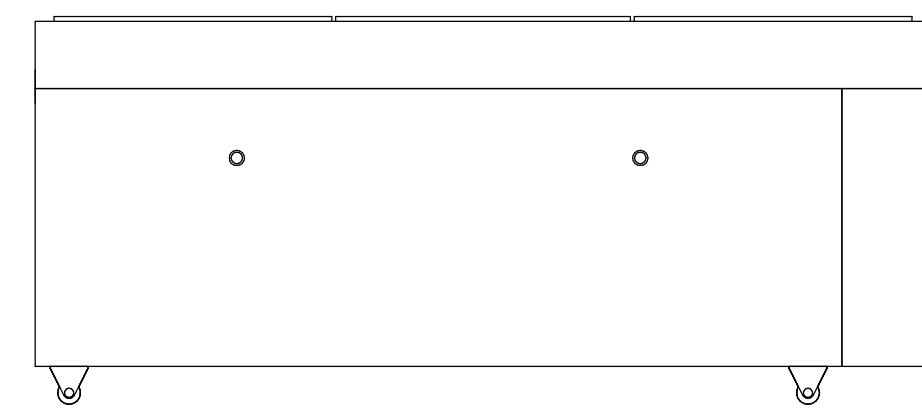
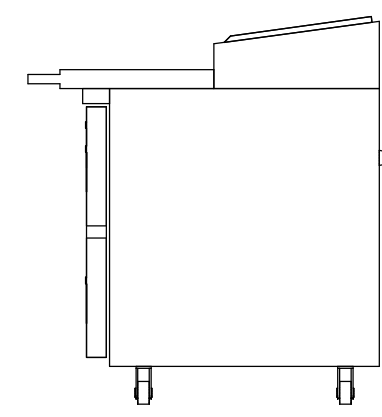
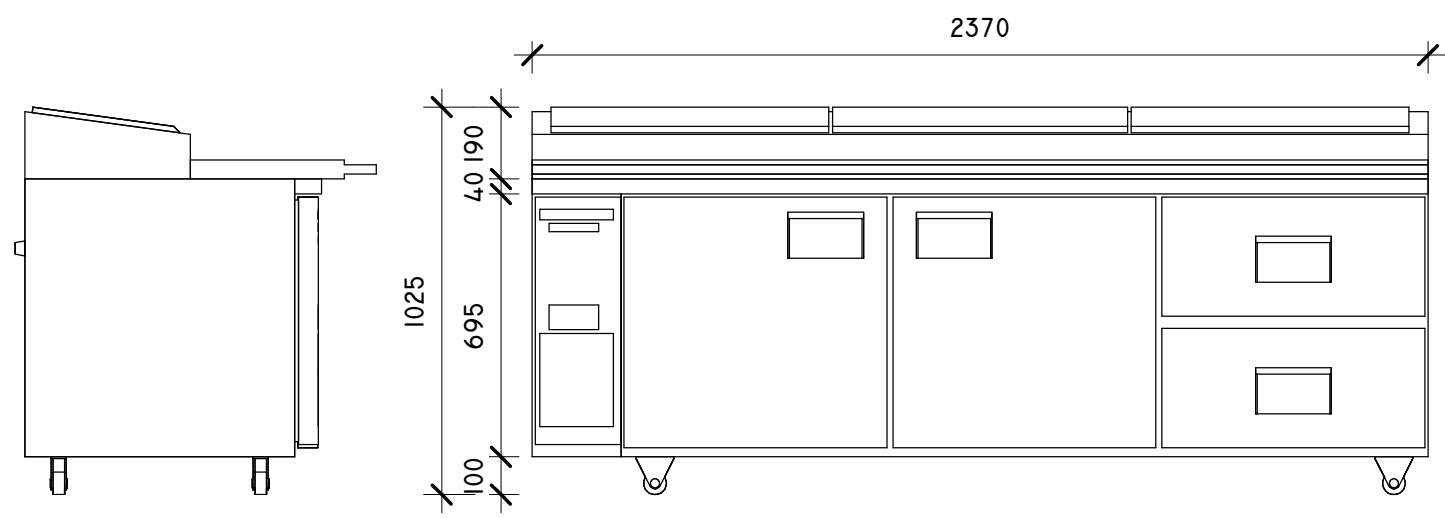


Cabinet Specifications:	
Width (mm):	2370
Depth (mm):	955
Height (mm):	1050
Weight (kg):	270
Electrical Power (kW):	0
Electrical Voltage (V):	240
Electrical Ampere (A):	0
Electrical Frequency (Hz):	50
MEPS TEC (kW):	7.64
Refrigerant:	R134a
Heat Load (kW):	0
Refrigeration in Power:	N/A



Industries Limited

66 Princess St. PO Box 1091
 Christchurch, New Zealand
 New Zealand Freephone: 0900 947 5673
 Australian Freephone: 1800 121 535
 Email: enquiry@skope.co.nz
 Website: www.skope.co.nz

Model: BC240-PS-22RRRS	
Description: Horizontal, 3 door Prep Chiller with Integral, LH refrigeration services	
Unless Otherwise Specified:	Scale
Folded Dimensions: Overall	1:20
Linear Tolerances: +/- 0.5mm	Revision
Angular Tolerances: +/- 0.5mm	
Units: Millimetres	
Copyright © SKOPE Industries Limited	