

MultiFresh®

IRINOX



MF 500.2 3T

Multi Fresh® is much more than a blast-chilling and shock-freezing system: **it is a trusted kitchen assistant.**

YIELD PER CYCLE	500 KG
At food core (from +90°C to +3°C)	
At food core (from +90°C to -18°C)	

CAPACITY
3 trolleys for 20 trays GN 2/1 or 600x800 mm or 40 trays GN 1/1 or 600x400 mm

CABINET DIMENSIONS	
width	1600 mm
depth	3825 mm
height	2150 mm

ELECTRICAL DATA	
max absorbed power	6,4 kW
max absorbed current	12,2 A
voltage	400V-50Hz (3N+PE)

CONDENSING UNIT 935A	
max absorbed power	39,9 kW
max absorbed current	68,4 A
voltage	400V-50Hz (3N+PE)
width	1437 mm
depth	1132 mm
height	1482 mm
weight	360 kg

UNIQUE SELLING POINTS

EASY COLOR BOARD:

with STANDARD cycles (delicate +3°C with air temp. never below 0°C, strong +3°C / delicate -18°C, strong -18°C) and DYNAMIC cycles: operators just select the type of product, hot or at room temperature (rice, vegetables, meat, fish, pastries, ice-cream, bread and many more) and the machine will bring the temperature down in the fastest possible time, always preserving perfect food quality.

USER FRIENDLY:

thanks to the customizable cycles (calibrated on user's very specific products, or simply to restrict the use of Multi Fresh® in big food operations, to a limited list of products... choose product's name and press start...) and the 20 programs for recording replicable cycles.

FLEXIBILITY:

Multi Fresh® can be easily set to work in all food sectors, choosing among Gastronomy's, Pastry's, Bakery's and Ice-cream's Dynamic programs.

PERSONAL ASSISTANT:

Multi Fresh® assists the operator through its wide display, communicating the steps in his working process.

GREEN PHILOSOPHY:

reduced energy consumption, components with low environmental impact.

UNIQUE SELLING POINTS

30-40% HIGHER EFFICIENCY:

thanks to empowered cooling systems, bigger evaporators, new generation fans. Enhanced shock freezing yields and electronically limited blast chilling power.

NO TEMPERATURE LIMIT:

Even at 95°C core temp. (200° - 300° oven temp.) food can be inserted into Multi Fresh® straight from cooking, stopping its natural evaporation.

EVAPORATORS:

high efficiency with multiple injection points for gas and anticorrosion cathaphoresis treatment.

SPECIAL AIRFLOW:

to guarantee higher efficiency, perfect temperature uniformity in every part of the cabinet and moisture preservation.

NEW GENERATION FANS:

electronic, with automatic speed variation, low consumption, with automatic stop when opening door.

MOISTURE PRESERVATION SYSTEM by Δt control

Possibility to add hot food during running cycles, just by replacing the core probe.

YIELDS

measured using stricter standards than NF and UK norms, advised loads 50mm in 65mm pans.

TROLLEY UNITS

with condensing units communicating with the Multi Fresh®'s CPU to supply the requested power in order to have the highest efficiency and the best result on food.

AUTOMATIC

switch to manual or automatic.

GAS TYPE:

R404.

MULTISENSOR:

new generation core probe with 5 measuring points to manage with absolute precision air/product temperatures, to get perfect results on food even when the probe is positioned in a wrong way.

Magnetic hygienic holder on door.

Special shape to ease extraction from frozen products.

SANIGEN (optional):

patented and certified sanitation system which sanitizes the whole internal chamber-in all of its parts, even on the back of the evaporator. 99,5% efficiency. It also sanitizes food's surface increasing it's shelf life. Takes away also the unpleasant smells generated during the night.

Bioxigen technology.

PERFECT HYGIENE:

thanks to the easy accessible washable evaporators, waterproof fans, Sanigen, removable condenser filter, waterproof control boards, etc.

USB port:

for data transfer to HACCP software, for upgrading internal software and for uploading individual programs.

DOOR:

with safety closing and new profile long lasting washable door gaskets.

HACCP control Software:

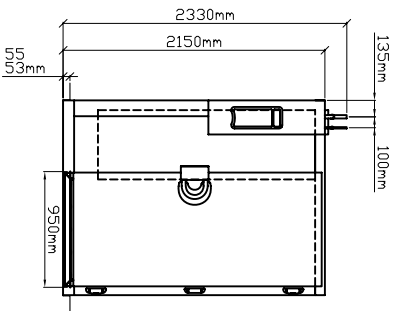
to memorize and transfer data to a PC.

CERTIFICATIONS:

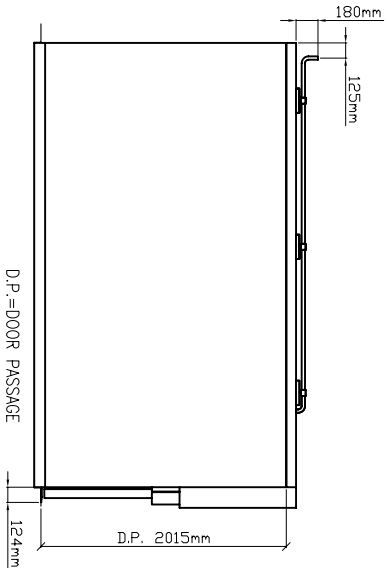


EMC

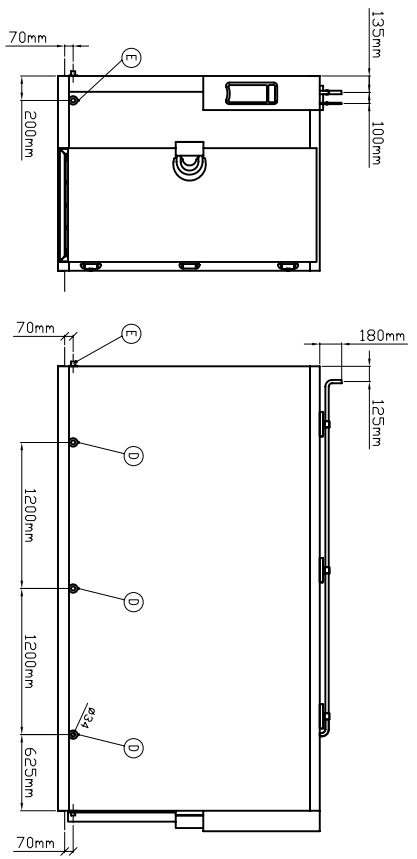
LVD



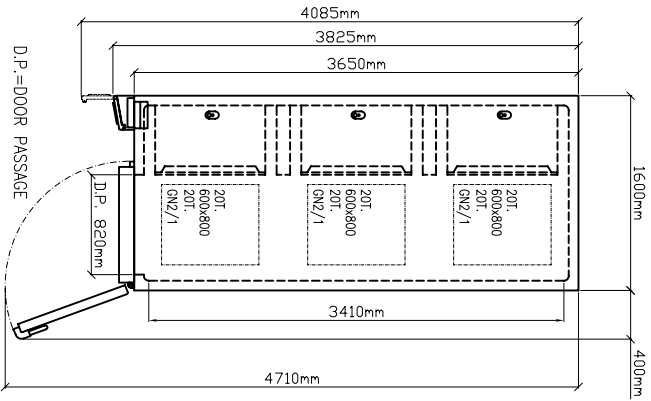
VISTA FRONTALE
FRONT VIEW



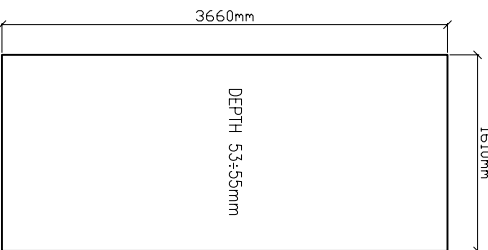
VISTA LATERALE
SIDE VIEW



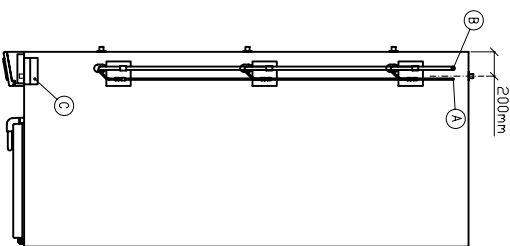
POSIZIONE SCARICHI
DRAIN POSITION



DIMENSIONS OF THE HOLE



VISTE INTERNE
INTERIOR VIEW



VISTA DALL'ALTO
TOP VIEW

- A = LIQUID LINE CONNECTION
- B = SUCTION LINE CONNECTION
- C = SUPPLY AND COMMUNICATION CABLES INLET
- D = DRAINAGE DISCHARGE STANDARD
- E = DRAINAGE DISCHARGE ON DEMAND

MODEL/VOLTAGE	400V 3N+PE 50Hz	400V 3N+PE 60Hz	230V 3+PE 50Hz	230V 3+PE 60Hz	200V 3+PE 208V 3+PE 30/60Hz
TOTAL RATING:	6,4	8,7	8,9	8,9	8,9
TOTAL OUTPUT:	12,2	14,6	28,2	28,2	28,3
SUPPLY CABLE SIZE:	5G4	5G4	4G6	4G6	4G6
TO REMOVE CONDENSING UNIT CABLE SIZE:	7X1,5	7X1,5	7X1,5	7X1,5	7X1,5
GAS TYPE / NOMINAL GAS CHARGE	R404A				
LIQUID LINE CONNECTION	ø22				
SUCTION LINE CONNECTION	ø54				
MAXIMUM AMBIENT AIR TEMPERATURE	32				
CABINET WEIGHT	Kg				
YIELD FOR BLAST CHILLING CYCLE (90/+3°C)*	500				
YIELD FOR SHOCK FREEZING CYCLE (90/-18°C)**	500				

*: within 90min. **: within 240min.

DATI TECNICI
TECHNICAL DATA

POS.	DESCRIZIONE	CODICE	Q.TA'
H	MATERIALE		
G			
F			
E			
D			
C			
B			
A			
MD			
MR			

POS.	DESCRIZIONE	CODICE	Q.TA'
IRINOX			
QUESTO DISEGNO E' DI NOSTRA PROPRIETA' E NON PUO' ESSERE USATO O RIPRODOTTO SENZA NOSTRA AUTORIZZAZIONE			
	DESCRIZIONE	DESCRIZIONE	
	MATERIALE	MATERIALE	
	TATTAMENTO	TATTAMENTO	
	SCALA	SCALA	
	TOLLERANZE GENERALI	TOLLERANZE GENERALI	
	UN EN 20260/1	UN EN 20260/1	
	GRUPPO	GRUPPO	
	INCASSO (SUNKEN FLOOR)	INCASSO (SUNKEN FLOOR)	
	CODICE	CODICE	
	MF500.2 3T	MF500.2 3T	
	MF6027000	MF6027000	
	W.VIS	W.VIS	

POS.	DESCRIZIONE	CODICE	Q.TA'
H	MATERIALE		
G			
F			
E			
D			
C			
B			
A			
MD			
MR			

POS.	DESCRIZIONE	CODICE	Q.TA'
IRINOX			
QUESTO DISEGNO E' DI NOSTRA PROPRIETA' E NON PUO' ESSERE USATO O RIPRODOTTO SENZA NOSTRA AUTORIZZAZIONE			
	DESCRIZIONE	DESCRIZIONE	
	MATERIALE	MATERIALE	
	TATTAMENTO	TATTAMENTO	
	SCALA	SCALA	
	TOLLERANZE GENERALI	TOLLERANZE GENERALI	
	UN EN 20260/1	UN EN 20260/1	
	GRUPPO	GRUPPO	
	INCASSO (SUNKEN FLOOR)	INCASSO (SUNKEN FLOOR)	
	CODICE	CODICE	
	MF500.2 3T	MF500.2 3T	
	MF6027000	MF6027000	
	W.VIS	W.VIS	

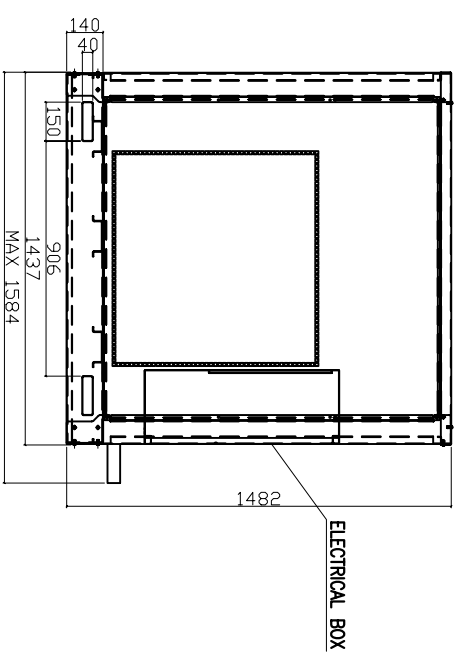
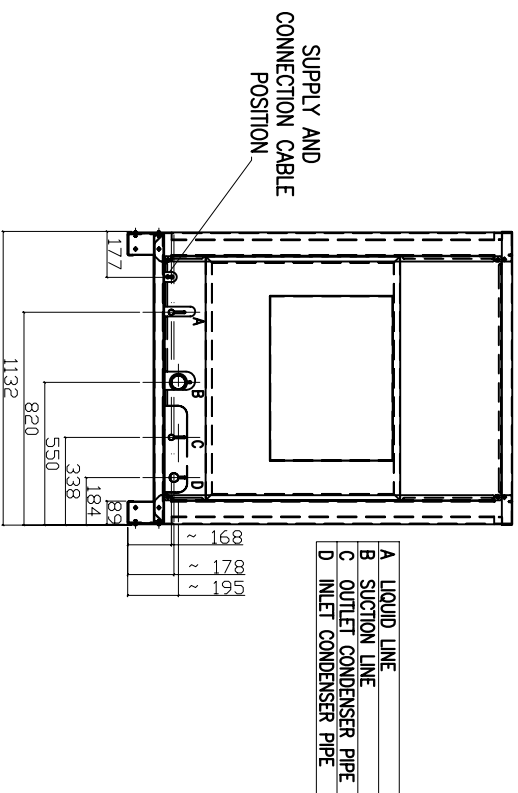
POS.	DESCRIZIONE	CODICE	Q.TA'
H	MATERIALE		
G			
F			
E			
D			
C			
B			
A			
MD			
MR			

POS.	DESCRIZIONE	CODICE	Q.TA'
IRINOX			
QUESTO DISEGNO E' DI NOSTRA PROPRIETA' E NON PUO' ESSERE USATO O RIPRODOTTO SENZA NOSTRA AUTORIZZAZIONE			
	DESCRIZIONE	DESCRIZIONE	
	MATERIALE	MATERIALE	
	TATTAMENTO	TATTAMENTO	
	SCALA	SCALA	
	TOLLERANZE GENERALI	TOLLERANZE GENERALI	
	UN EN 20260/1	UN EN 20260/1	
	GRUPPO	GRUPPO	
	INCASSO (SUNKEN FLOOR)	INCASSO (SUNKEN FLOOR)	
	CODICE	CODICE	
	MF500.2 3T	MF500.2 3T	
	MF6027000	MF6027000	
	W.VIS	W.VIS	

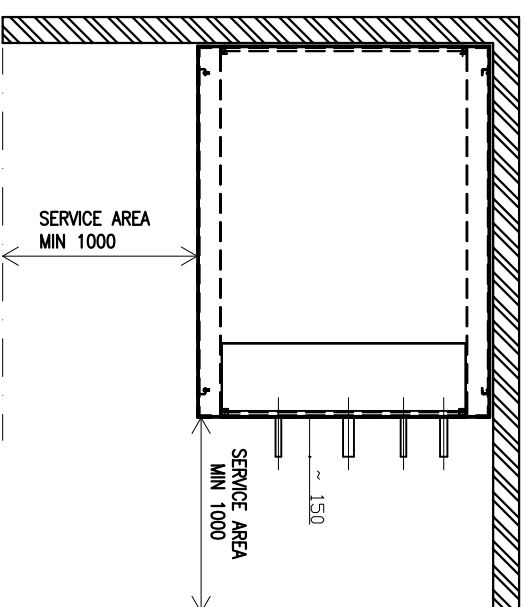
POS.	DESCRIZIONE	CODICE	Q.TA'
H	MATERIALE		
G			
F			
E			
D			
C			
B			
A			
MD			
MR			

POS.	DESCRIZIONE	CODICE	Q.TA'
IRINOX			
QUESTO DISEGNO E' DI NOSTRA PROPRIETA' E NON PUO' ESSERE USATO O RIPRODOTTO SENZA NOSTRA AUTORIZZAZIONE			
	DESCRIZIONE	DESCRIZIONE	
	MATERIALE	MATERIALE	
	TATTAMENTO	TATTAMENTO	
	SCALA	SCALA	
	TOLLERANZE GENERALI	TOLLERANZE GENERALI	
	UN EN 20260/1	UN EN 20260/1	
	GRUPPO	GRUPPO	
	INCASSO (SUNKEN FLOOR)	INCASSO (SUNKEN FLOOR)	
	CODICE	CODICE	
	MF500.2 3T	MF500.2 3T	
	MF6027000	MF6027000	
	W.VIS	W.VIS	

CONDENSING UNIT M93544xxx



REMOTE UNIT FEATURES		400V 3N+PE 50Hz	230V 3+PE 60Hz	400V 3N+PE 60Hz
VOLTAGE:		400V 3N+PE 50Hz	230V 3+PE 60Hz	400V 3N+PE 60Hz
TOTAL RATING:	kW	39,9	49,7	49,7
TOTAL OUTPUT:	A	68,4	158,4	89,3
SUPPLY CABLE SIZE:	mmmm ²	5625	4G(1x120)	5G35/4G35
CABINET/CONDENSING UNIT CONNECTION CABLE (HCl SERIES):	mmmm ²	6x1,5	6x1,5	6x1,5
CABINET/CONDENSING UNIT CONNECTION CABLE (Lc/Hc SERIES):	mmmm ²	5x1,5	5x1,5	5x1,5
CONDENSING UNIT/REMOTE CONDENSER CONNECTION CABLE:	mmmm ²	8x2,5+Pe	8x2,5+Pe	8x2,5+Pe
COMPRESSOR RATING:	kW (HP)	25,7 (35)	25,7 (35)	25,7 (35)
COMPRESSOR DISPLACEMENT:	m ³ /h	110,5	133,4	133,4
REFRIGERATION YIELD (-10°C evap./+40°C cond.):	Watt	60900	71700	71700
CONDENSATOR RATING (-10°C evap./+40°C cond.):	Watt	85200	101000	101000
GAS TYPE:		R404A	R404A	R404A
LIQUID LINE CONNECTION (A):	mm	ø22	ø22	ø22
SUCTION LINE CONNECTION (B):	mm	ø54	ø54	ø54
INLET REMOTE CONDENSER LINE (D):	mm	ø35	ø35	ø35
OUTLET REMOTE CONDENSER LINE (C):	mm	ø22	ø22	ø22
MAXIMUM AMBIENT AIR TEMPERATURE:	°C	42	42	42
DIMENSION WITH PACKING (WxDxH):	mm	1740x1220x1800	1740x1220x1800	1740x1220x1800
WEIGHT WITH PACKING:	kg	440	440	440
VOLUME WITH PACKING:	m ³	3,821	3,821	3,821
NET WEIGHT:	kg	360	360	360



MATERIALE

DIMENSIONI

TRATTAMENTO

DESCRIZIONE

IRINOX

SCALA
TOLLERANZE GENERALI
UN EN ISO 9001

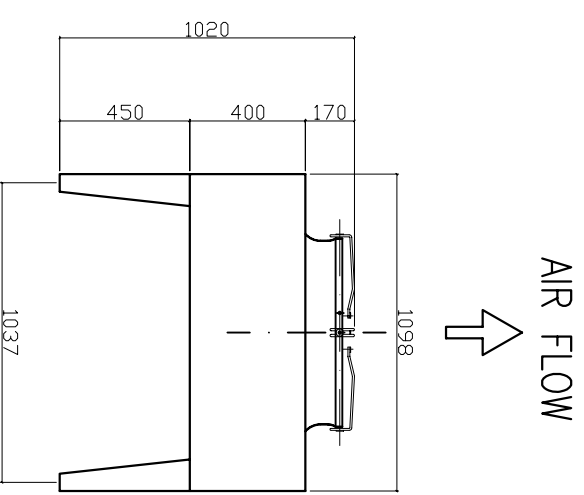
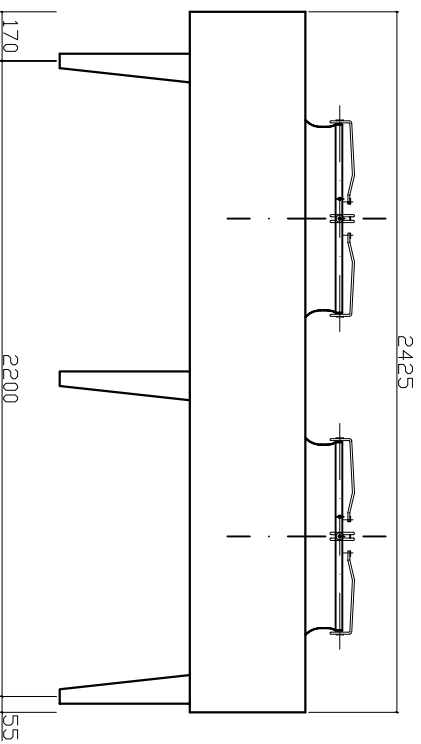
GRUPPO

M93544xxx
U.C. 935 AST

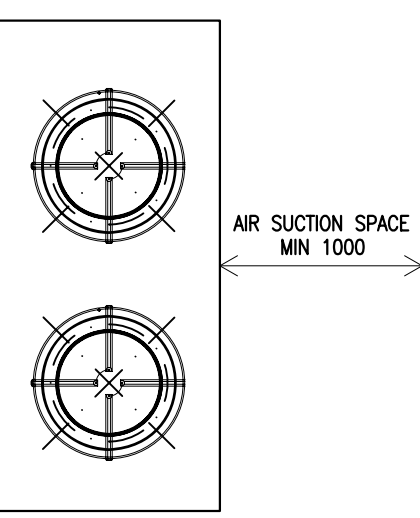
W:018

QUESTO DISEGNO È DI NOSTRA PROPRIETÀ E NON PUÒ ESSERE USATO O RIPRODOTTO SENZA NOSTRA AUTORIZZAZIONE

REMOTE CONDENSER FOR M9354XXX



REMOTE CONDENSER				
VOLTAGE:	400V 3N+PE 50Hz	230V 3+PE 60Hz	400V 3N+PE 60Hz	
TOTAL SOUND PRESSURE LEVEL (10 m):	56 dB(A)	57	57	
TOTAL AIR FLOW:	25720 m ³ /h	27260	27260	
CAPACITY (dir temp. 32°C, cond. temp. 45°C):	90,7 kW	93,4	93,4	
GAS TYPE:	R404A	R404A	R404A	
INPUT REFRIGERANT CONNECTION:	Ø54 mm	Ø54	Ø54	
OUTPUT REFRIGERANT CONNECTION:	Ø42 mm	Ø42	Ø42	
TOTAL CIRCUIT CAPACITY (VOLUME):	30 dm ³	30	30	
FAN:	2 n	2	2	
FAN DIAMETER:	630 mm	630	630	
NET WEIGHT:	205 kg	205	205	



MATERIALE	DIMENSIONI	TATTAMENTO	DESCRIZIONE
		SCALA	REMOTE CONDENSER FOR M9354XXX
		TOLLERANZE GENERALI UN EN ISO 9001	GRUPPO
QUESTO DISEGNO E' DI NOSTRA PROPRIETA' E NON PUO' ESSERE USATO O RIPRODOTTO SENZA NOSTRA AUTORIZZAZIONE			CODICE W: 018