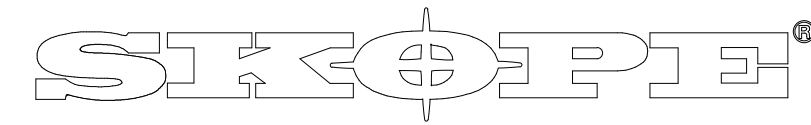
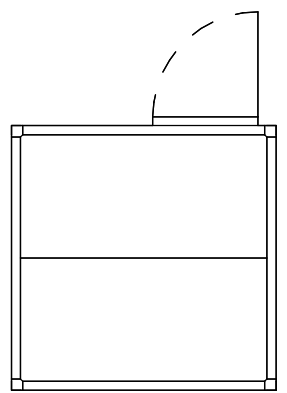
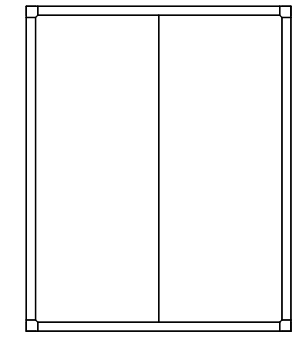
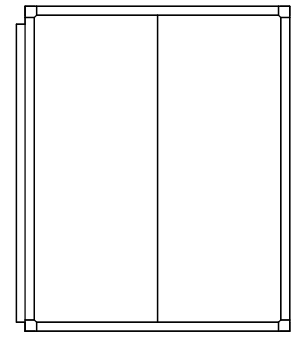
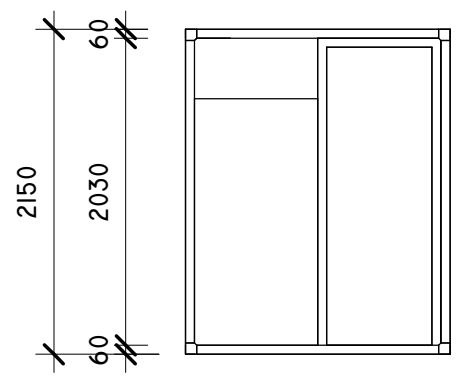
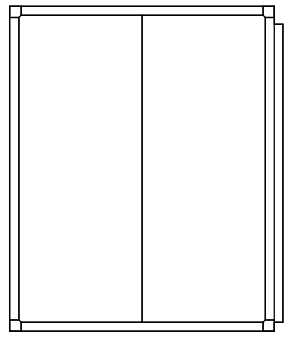
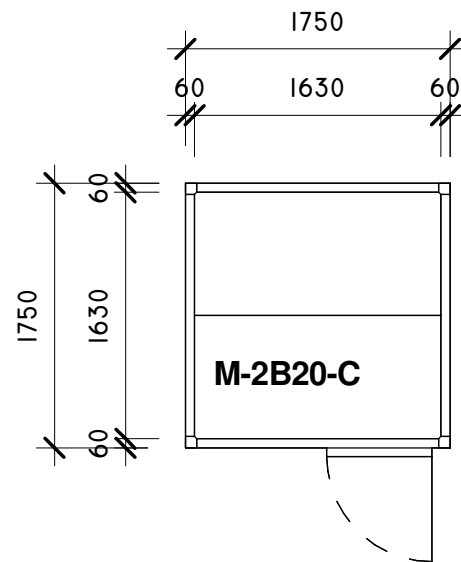


| | |
|---------------------------------|------|
| Coolroom Specifications: | |
| Width (mm): | 1750 |
| Depth (mm): | 1750 |
| Height (mm): | 2150 |



Industries Limited

66 Princess St. PO Box 1091
 Christchurch, New Zealand
 New Zealand Freephone: 0900 947 5673
 Australian Freephone: 1800 121 535
 Email: enquiry@skope.co.nz
 Website: www.skope.co.nz

| | |
|--|-----------------|
| Model: M-2B20-C | |
| Description: Chiller Room, 5.39m3, S6 panel incl Floor | |
| Unless Otherwise Specified: | Scale |
| Folded Dimensions: Overall | 1:50 |
| Linear Tolerances: +/- 0.5mm | |
| Angular Tolerances: +/- 0.5mm | |
| Units: Millimetres | Revision |
| | -.- |
| Copyright © SKOPE Industries Limited | |