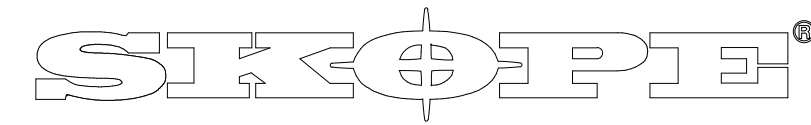
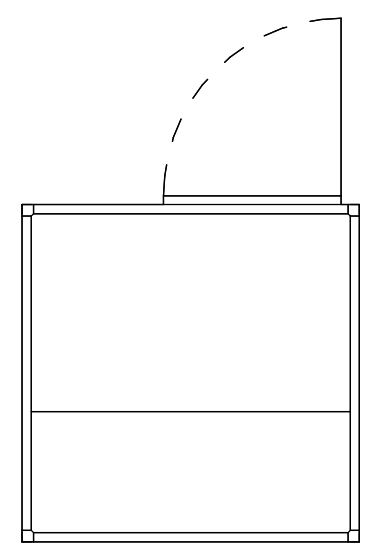
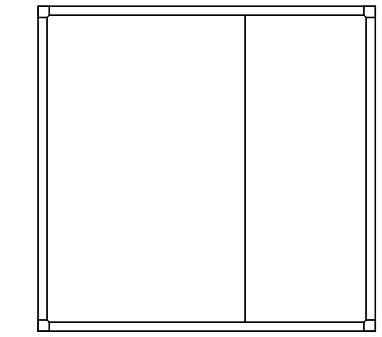
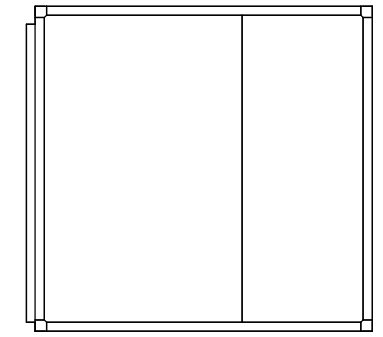
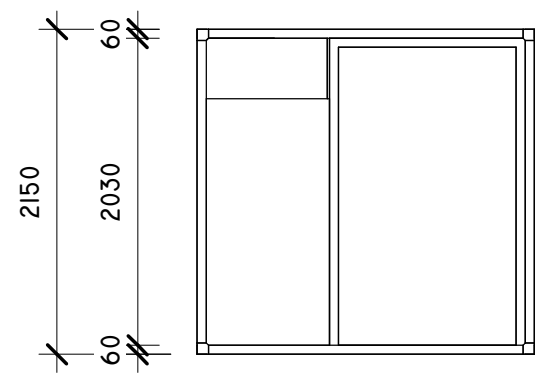
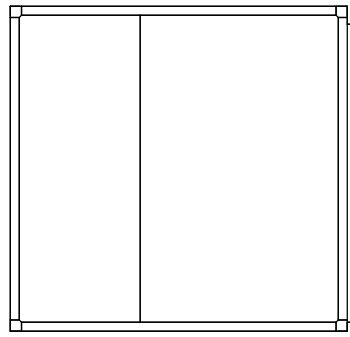
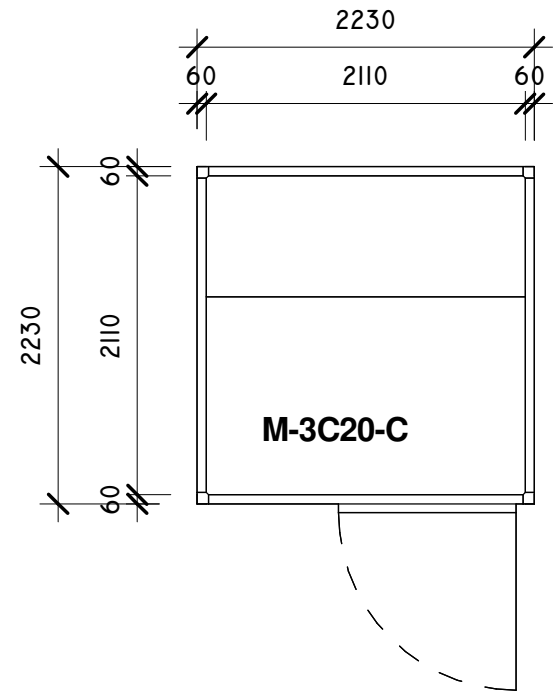


Coolroom Specifications:	
Width (mm):	2230
Depth (mm):	2230
Height (mm):	2150



Industries Limited

66 Princess St. PO Box 1091
Christchurch, New Zealand
New Zealand Freephone: 0900 947 5673
Australian Freephone: 1800 121 535
Email: enquiry@skope.co.nz
Website: www.skope.co.nz

Model: M-3C20-C	
Description: Chiller Room, 8.37m3, S6 panel incl Floor	
Unless Otherwise Specified:	Scale
Folded Dimensions: Overall	1:50
Linear Tolerances: +/- 0.5mm	
Angular Tolerances: +/- 0.5mm	
Units: Millimetres	Revision
	-.-
Copyright © SKOPE Industries Limited	