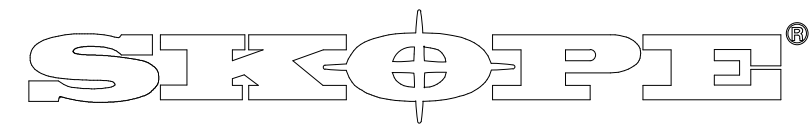
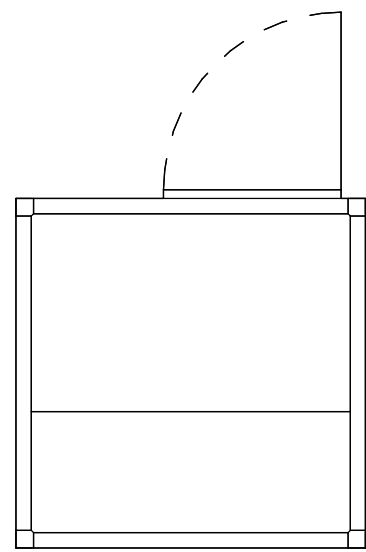
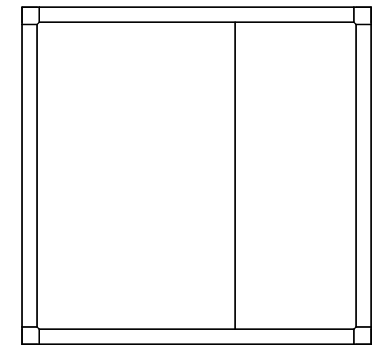
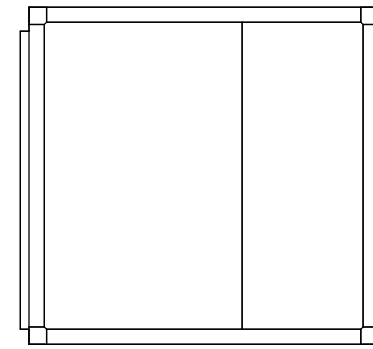
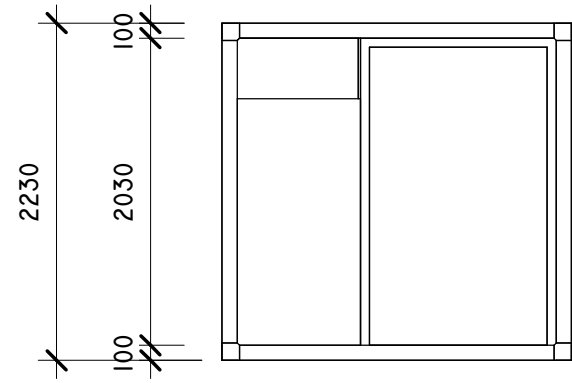
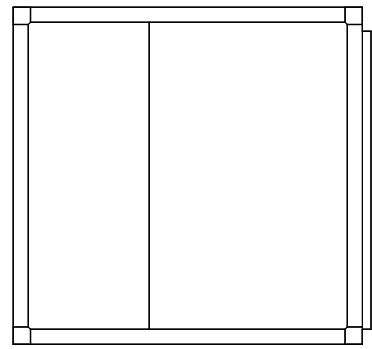
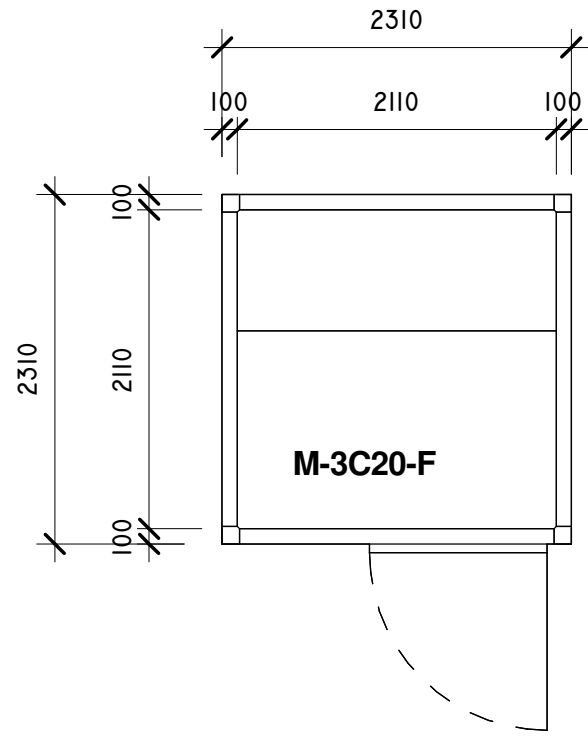


Coolroom Specifications:	
Width (mm):	2310
Depth (mm):	2310
Height (mm):	2230



## Industries Limited

66 Princess St. PO Box 1091  
 Christchurch, New Zealand  
 New Zealand Freephone: 0900 947 5673  
 Australian Freephone: 1800 121 535  
 Email: enquiry@skope.co.nz  
 Website: www.skope.co.nz

Model: <b>M-3C20-F</b>	
Description: Freezer Room, 8.37m <sup>3</sup> , S10 panel incl Floor	
Unless Otherwise Specified:	Scale
Folded Dimensions: Overall	1:50
Linear Tolerances: +/- 0.5mm	
Angular Tolerances: +/- 0.5mm	
Units: Millimetres	Revision
	---
Copyright © SKOPE Industries Limited	