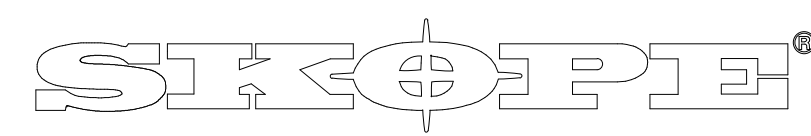
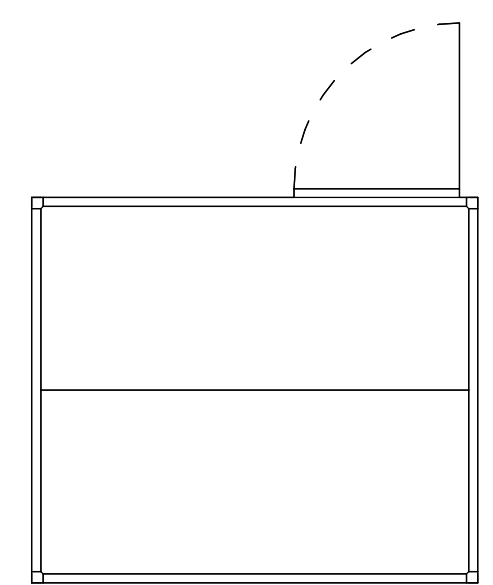
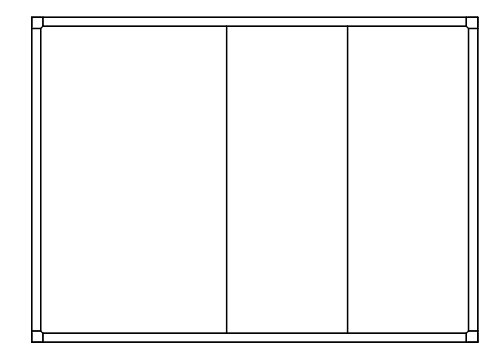
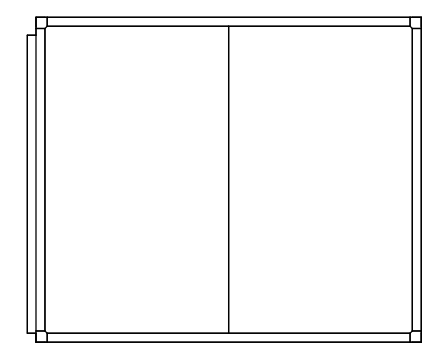
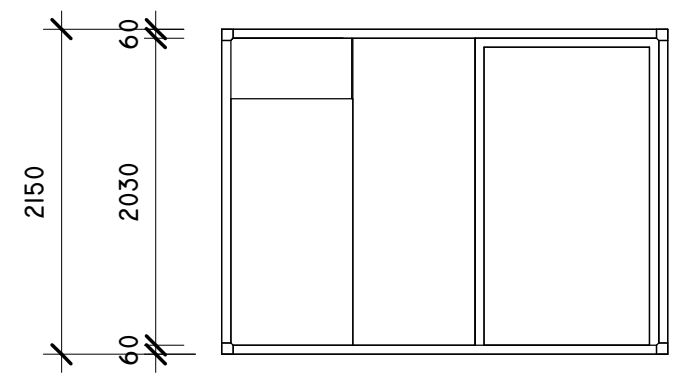
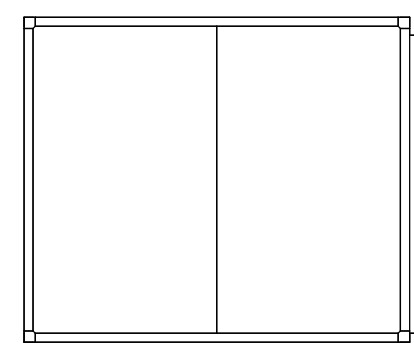
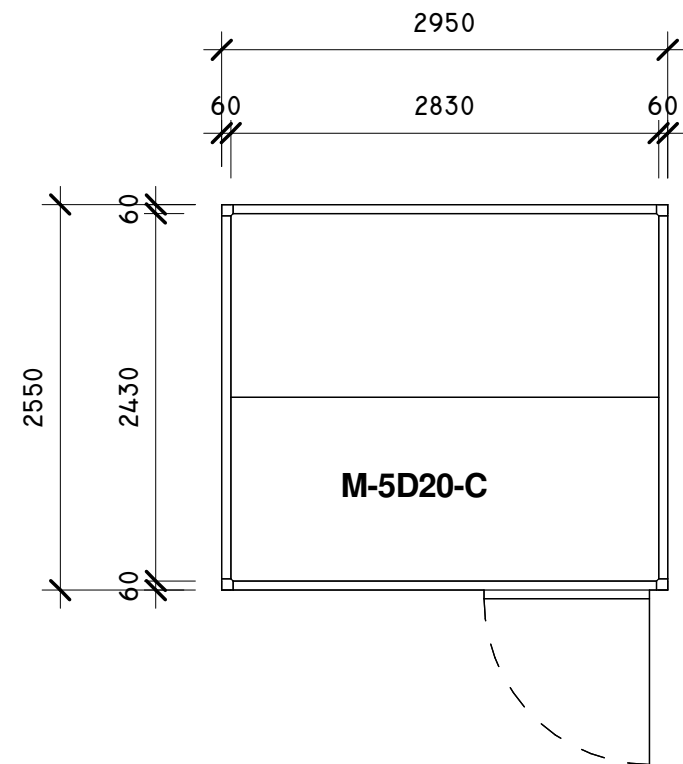


Coolroom Specifications:	
Width (mm):	2950
Depth (mm):	2550
Height (mm):	2150



**Industries Limited**

66 Princess St. PO Box 1091  
 Christchurch, New Zealand  
 New Zealand Freephone: 0900 947 5673  
 Australian Freephone: 1800 121 535  
 Email: enquiry@skope.co.nz  
 Website: www.skope.co.nz

Model: <b>M-5D20-C</b>	
Description: Chiller Room, 13.96m <sup>3</sup> , S6 panel incl Floor	
Unless Otherwise Specified:	Scale
Folded Dimensions: Overall	1:50
Linear Tolerances: +/- 0.5mm	Revision
Angular Tolerances: +/- 0.5mm	
Units: Millimetres	
Copyright © SKOPE Industries Limited	