

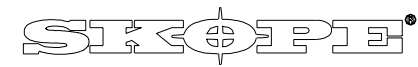
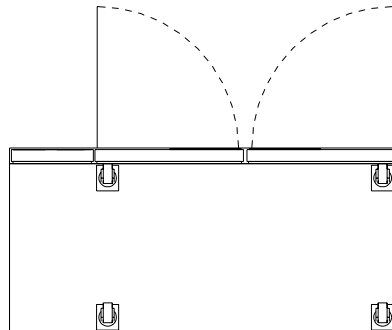
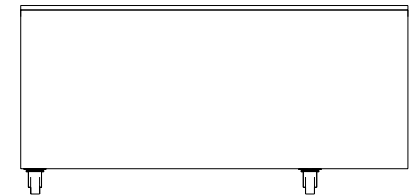
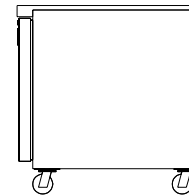
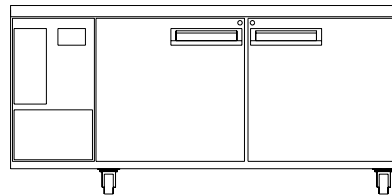
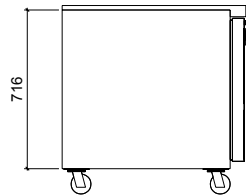
Cabinet Specifications

Width: 1750
 Depth: 830
 Height: 716
 Weight (kg): 108

Electrical Power (kW): 1.575
 Electrical Voltage (V): 240
 Electrical Ampere (A): 6.55
 Electrical Frequency (f): 50

MEPS TEC: n/a
 Refrigerant: 0

Refrigeration in Power: 0.49kW @ -30C



Industries Limited
 66 Princess St. PO Box 1091
 Christchurch, New Zealand
 Ph: +64 (3) 983 3800
 Fax: +64 (3) 983 3896

| | | |
|---|-------------|----------------------|
| Model: PG500HFr | | Scale 1:10 |
| Description: Horizontal, 2 door High Performance Gastronom Freezer with Remote, LH refrigeration services | | |
| Unless Otherwise Specified | | Revision -- |
| Folded Dimensions: | Overall | |
| Linear Tolerances: | +/- 0.5mm | |
| Angular Tolerances: | +/- 0.5° | |
| Units: | Millimetres | |
| Copyright © SKOPE Industries Limited | | |