

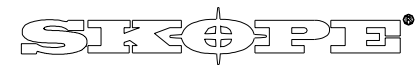
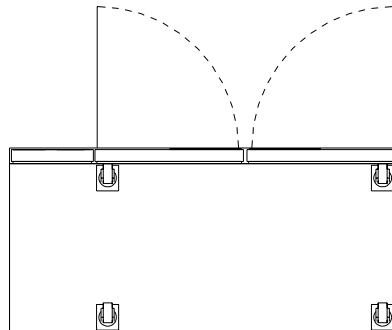
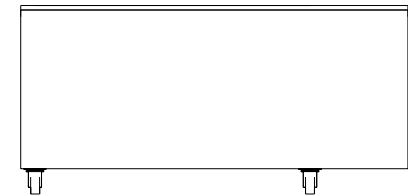
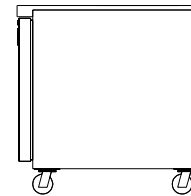
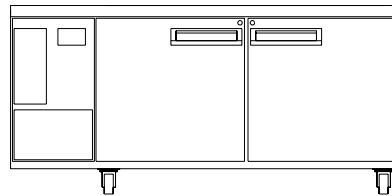
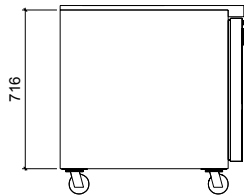
Cabinet Specifications

Width: 1750
 Depth: 830
 Height: 716
 Weight (kg): 135

Electrical Power (kW): 1.498
 Electrical Voltage (V): 240
 Electrical Ampere (A): 6.24
 Electrical Frequency (f): 50

MEPS TEC: n/a
 Refrigerant: 0

Refrigeration in Power: 0.98kW @ -15C



Industries Limited
 66 Princess St. PO Box 1091
 Christchurch, New Zealand
 Ph: +64 (3) 983 3800
 Fax: +64 (3) 983 3896

Model: PG500PREPr		Scale 1:10
Description: Horizontal, 2 door High Performance Gastronorm Prep Chiller with Remote, LH refrigeration services		
Unless Otherwise Specified		Revision --
Folded Dimensions:	Overall	
Linear Tolerances:	+/- 0.5mm	
Angular Tolerances:	+/- 0.5°	
Units:	Millimetres	
Copyright © SKOPE Industries Limited		