

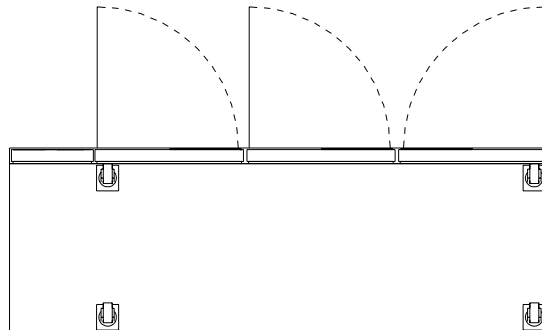
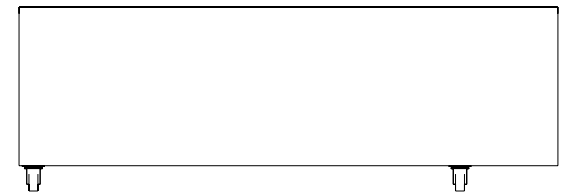
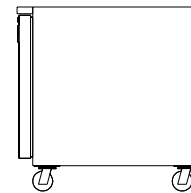
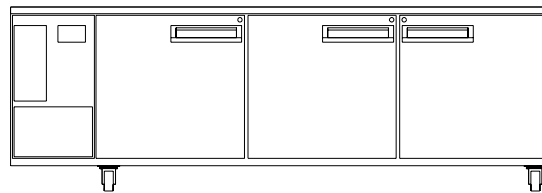
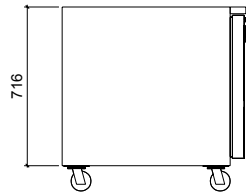
### Cabinet Specifications

Width: 2435  
 Depth: 830  
 Height: 716  
 Weight (kg): 150

Electrical Power (kW): 0.855  
 Electrical Voltage (V): 240  
 Electrical Ampere (A): 3.56  
 Electrical Frequency (f): 50

MEPS TEC: n/a  
 Refrigerant: 0  
 Heat Load: 0

Refrigeration in Power:



**SKOPE®**

**Industries Limited**

66 Princess St. PO Box 1091  
 Christchurch, New Zealand  
 Ph: +64 (3) 983 3800  
 Fax: +64 (3) 983 3896

Model: <b>PG800HC</b>	
Description: Horizontal, 3 door High Performance Gastronorm Chiller with Integral, LH refrigeration services	
<b>Unless Otherwise Specified</b>	Scale <b>1:10</b>
Folded Dimensions: Overall Linear Tolerances: +/- 0.5mm Angular Tolerances: +/- 0.5° Units: Millimetres	Revision --
Copyright © SKOPE Industries Limited	