

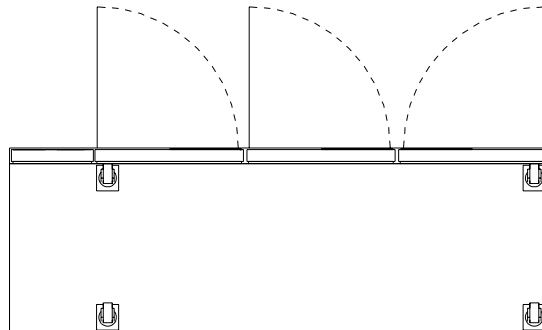
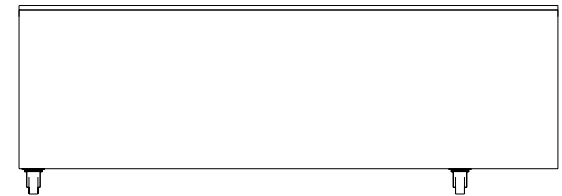
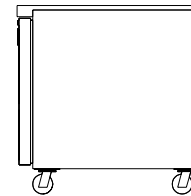
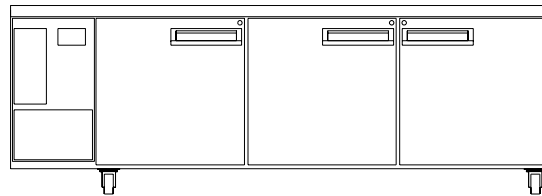
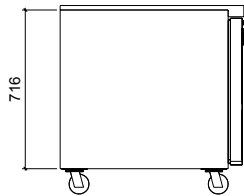
### Cabinet Specifications

Width: 2435  
 Depth: 830  
 Height: 716  
 Weight (kg): 108

Electrical Power (kW): 0  
 Electrical Voltage (V): 240  
 Electrical Ampere (A): 0  
 Electrical Frequency (f): 50

MEPS TEC: n/a  
 Refrigerant: 0  
 Heat Load: 0

Refrigeration in Power:



**SKOPE®**

**Industries Limited**  
 66 Princess St. PO Box 1091  
 Christchurch, New Zealand  
 Ph: +64 (3) 983 3800  
 Fax: +64 (3) 983 3896

Model: <b>PG800HF<sub>r</sub></b>		Scale <b>1:10</b>
Description: <b>Horizontal, 3 door High Performance Gastronorm Freezer with Remote, LH refrigeration services</b>		
<b>Unless Otherwise Specified</b>		Revision --
Folded Dimensions:	Overall	
Linear Tolerances:	+/- 0.5mm	
Angular Tolerances:	+/- 0.5°	
Units:	Millimetres	
Copyright © SKOPE Industries Limited		