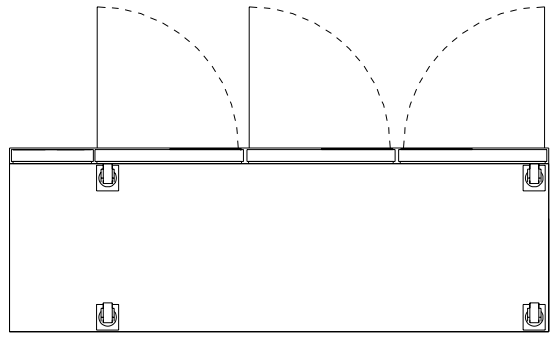
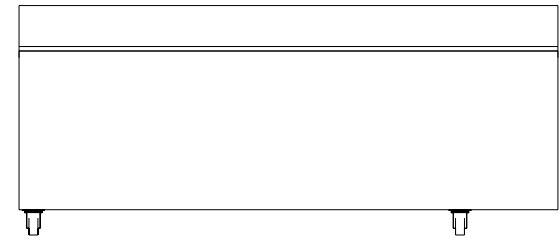
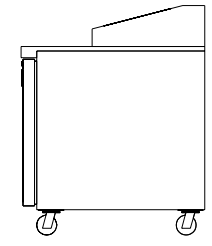
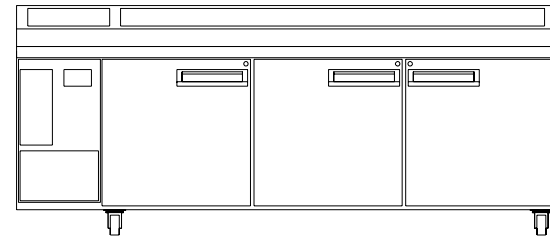
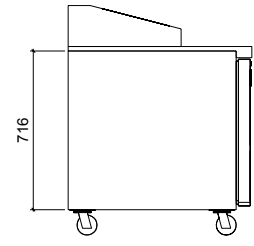


Cabinet Specifications	
Width:	2435
Depth:	830
Height:	716
Weight (kg):	165
Electrical Power (kW):	1.28
Electrical Voltage (V):	240
Electrical Ampere (A):	5.34
Electrical Frequency (f):	50
MEPS TEC:	n/a
Refrigerant:	0
Heat Load:	0
Refrigeration in Power:	



Industries Limited
 66 Princess St. PO Box 1091
 Christchurch, New Zealand
 Ph: +64 (3) 983 3800
 Fax: +64 (3) 983 3896

Model: PG800PIZZA	
Description: Horizontal, 3 door High Performance Gastronorm Pizza Chiller with Integral, LH refrigeration services	
Unless Otherwise Specified Folded Dimensions: Linear Tolerances: Angular Tolerances: Units:	Overall +/- 0.5mm +/- 0.5° Millimetres
	Scale 1:10
Copyright © SKOPE Industries Limited	Revision --