

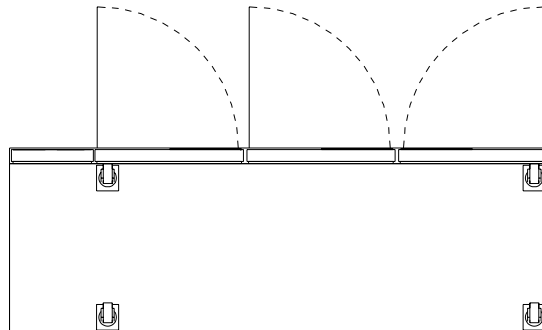
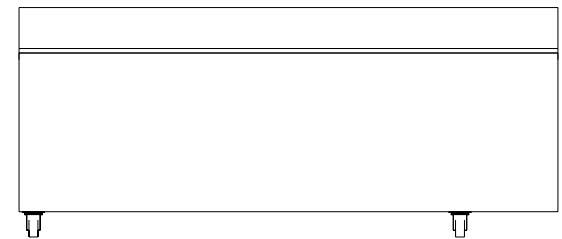
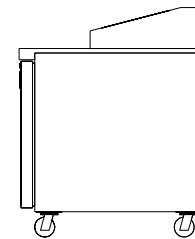
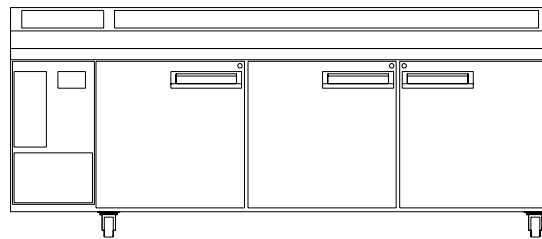
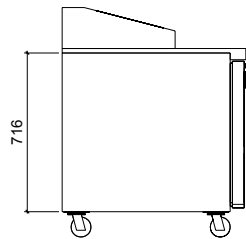
### Cabinet Specifications

Width: 2435  
 Depth: 830  
 Height: 716  
 Weight (kg): 150

Electrical Power (kW): 1.519  
 Electrical Voltage (V): 240  
 Electrical Ampere (A): 6.33  
 Electrical Frequency (f): 50

MEPS TEC: n/a  
 Refrigerant: 0  
 Heat Load: 0

Refrigeration in Power: 1.18kW @ -15C



**Industries Limited**  
 66 Princess St. PO Box 1091  
 Christchurch, New Zealand  
 Ph: +64 (3) 983 3800  
 Fax: +64 (3) 983 3896

Model: <b>PG800PIZZAr</b>	
Description: Horizontal, 3 door High Performance Gastronorm Pizza Chiller with Remote, LH refrigeration services	
Unless Otherwise Specified Folded Dimensions: Linear Tolerances: Angular Tolerances: Units:	Overall +/- 0.5mm +/- 0.5° Millimetres
	Scale <b>1:10</b>  Revision --
Copyright © SKOPE Industries Limited	