

# specifications

## B1350-2

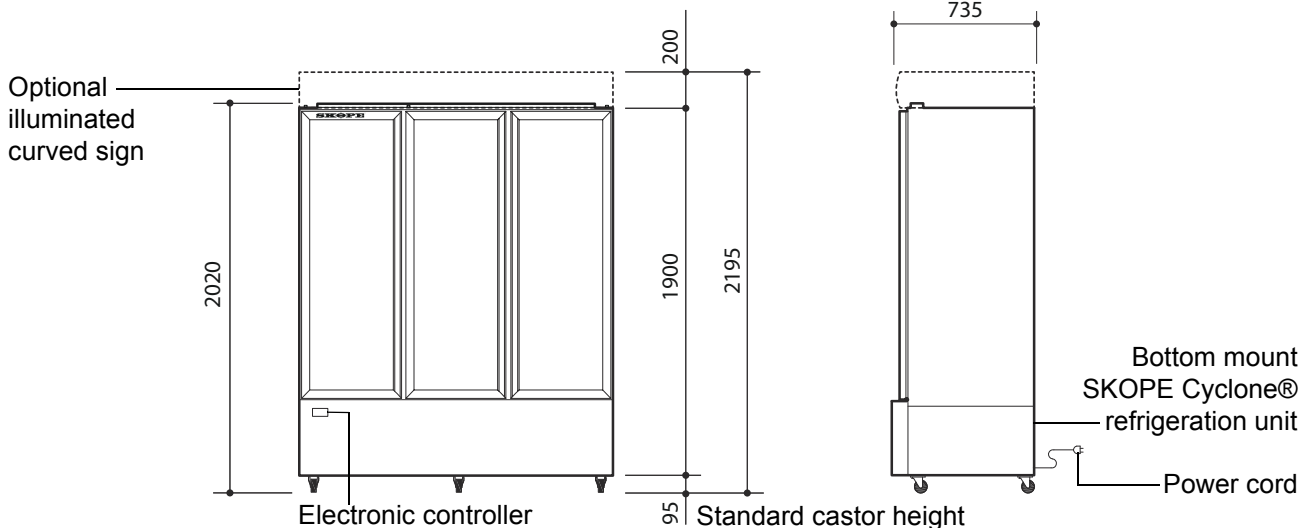
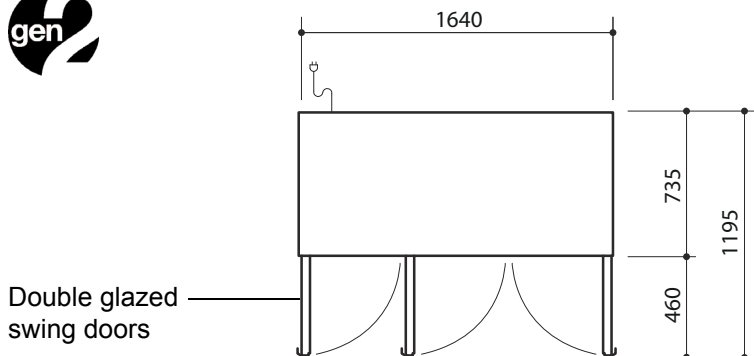
SKOPE Gen2: Three Door Chiller  
Type: B13BD (Centre Pillar Lights)



### CABINET DIMENSIONS

	External	Internal
<b>Height:</b>	2020mm*	1440mm
<b>Width:</b>	1640mm	1540mm
<b>Depth:</b>	735mm	555mm
<b>Floor area:</b>	1.20m <sup>2</sup>	
<b>Insulation:</b>	50mm polyurethane foam	

\* Maximum height 2195mm with optional sign fitted.



Copyright © 2004 SKOPE Industries Limited

### CABINET SPECIFICATIONS

<b>Refrigeration system:</b>	Bottom mount SKOPE Cyclone <sup>®</sup> refrigeration unit with electronic control
<b>Refrigerant:</b>	R134a / 510g
<b>Nominal capacity:</b>	870 Watts (CECOMAF -5°C SST)
<b>Cabinet internal volume:</b>	1350 litres
<b>Cabinet temperature range:</b>	+1°C to +4°C
<b>Drainage:</b>	No plumbing required
<b>Electrical:</b>	220-240 Volts a.c. 50 Hz, single phase supply, 4.24 Amp
<b>Internal lighting:</b>	Centre pillar lights: 2 x 28 Watt T5 fluorescent tubes (Ø16mm x 1150mm)
<b>Optional sign:</b>	1 x 35 Watt T5 fluorescent tube (Ø16mm x 1450mm) 0.26 Amp
<b>Doors:</b>	3 x self-closing, double glazed, toughened safety glass swing doors
<b>Internal door opening size:</b>	Outside doors: 1440mm high x 450mm wide Centre door: 1440 high x 460mm wide
<b>Shelves:</b>	15 shelves: 475mm x 460mm, 550mm x 460mm, 475mm x 460mm
<b>Total weight:</b>	315 kg

SKOPE Industries Limited reserve the right to alter specifications without notice.

PSS0020 Rev. 4.0 Aug. 2011



**SKOPE INDUSTRIES LIMITED**



New Zealand Freephone: 0800 947 5673, Fax: (03) 983 3896. Australian Freephone: 1800 121 535, Freefax: 1800 121 533

Email: enquiry@skope.co.nz Website: www.skope.co.nz