

specifications

B900-2

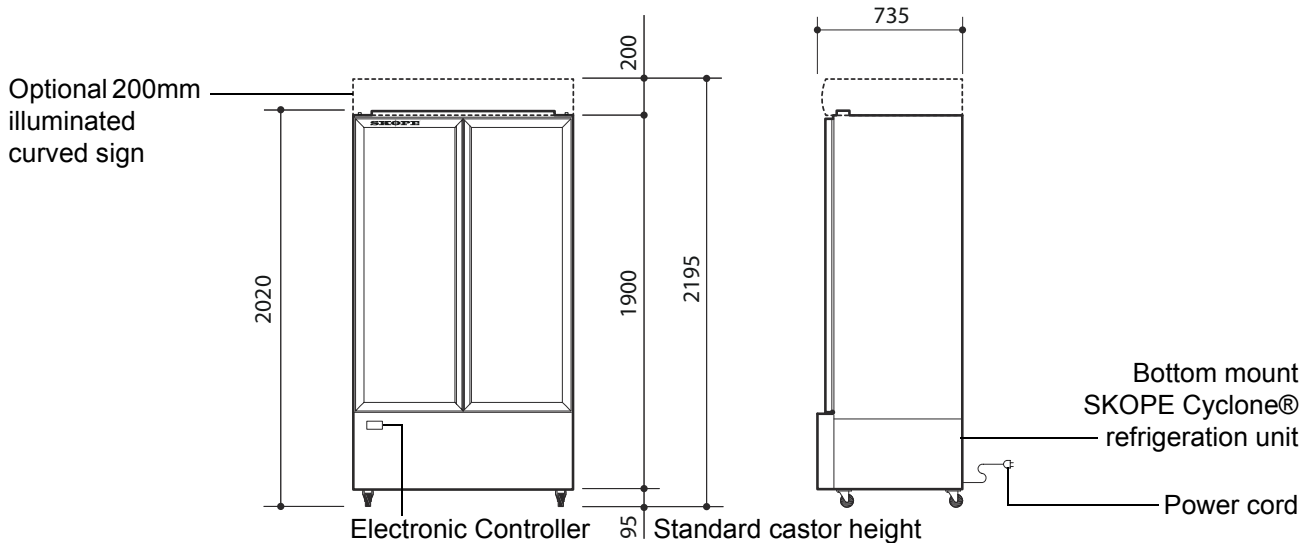
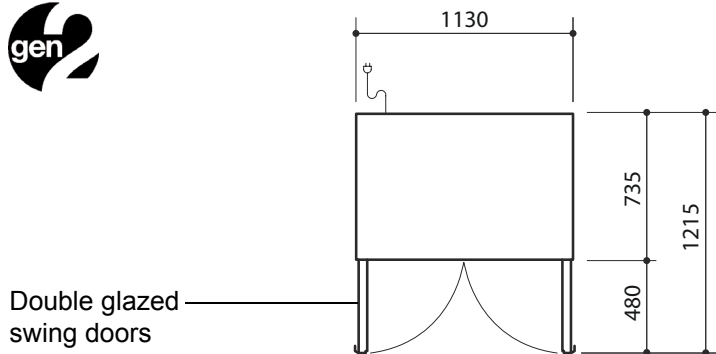
SKOPE Gen2: Two door vertical chiller
Type: B90BE (Twin Side Lights)



CABINET DIMENSIONS

	External	Internal
Height:	2020mm*	1440mm
Width:	1130mm	1030mm
Depth:	735mm	555mm
Floor area:	0.83m ²	
Insulation:	50mm polyurethane foam	

* * Maximum height 2195mm with optional sign fitted.



Copyright © 2004 SKOPE Industries Limited

CABINET SPECIFICATIONS

Refrigeration system:	Bottom mount SKOPE Cyclone ® refrigeration unit with electronic control
Refrigerant:	R134a / 510g
Nominal capacity:	920 Watts (CECOMAF -5°C SST)
Cabinet internal volume:	892 litres
Cabinet temperature range:	+1° C to +4°C
Drainage:	No plumbing required
Electrical:	220-240 Volts a.c. 50 Hz, single phase supply, 4.17 Amp
Internal lighting:	Twin side lights: 2 x 28 Watt T5 fluorescent tubes (Ø16mm x 1150mm)
Optional sign:	1 x 21 Watt T5 fluorescent tube (Ø16mm x 850mm), 0.18 Amp
Doors:	Self-closing, aluminium framed, double glazed toughened safety glass swing doors
Internal door opening size:	2 door openings: 1440mm high x 480mm wide
Shelves:	5 shelves: 1009mm wide x 475mm deep
Total weight:	210 kg

SKOPE Industries Limited reserve the right to alter specifications without notice.

PSS0037 Rev. 3.0 Aug. 2011



SKOPE INDUSTRIES LIMITED



New Zealand Freephone: 0800 947 5673, Fax: (03) 983 3896. Australian Freephone: 1800 121 535, Freefax: 1800 121 533

Email: enquiry@skope.co.nz Website: www.skope.co.nz