

specifications

BC120-C

centaur

from SKOPE

Centaur Two Door Under Counter

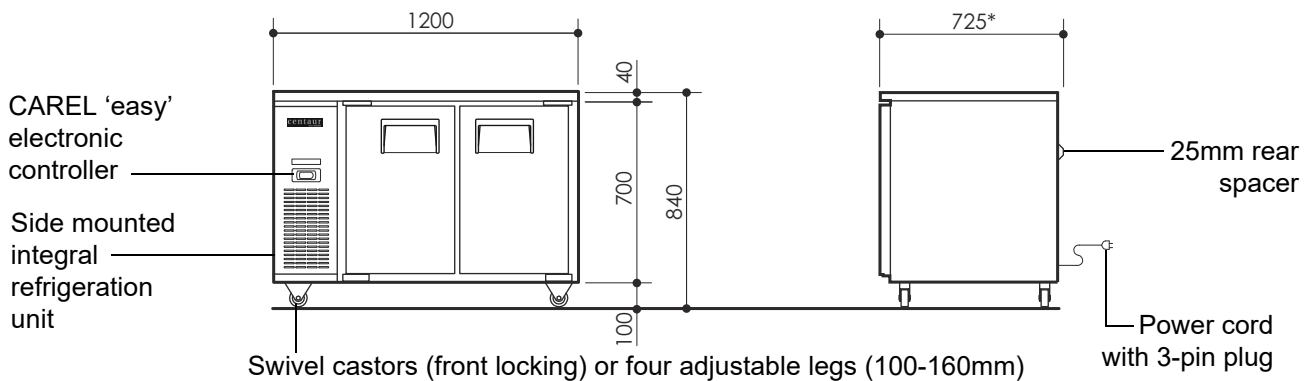
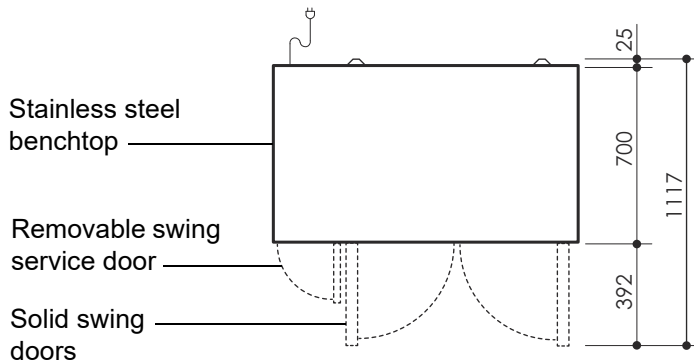
Chiller: BC120-C-2RR0S-E

Freezer: BC120-C-2FF0S-E

CABINET DIMENSIONS

	External	Internal
Height:	840mm	610mm
Width:	1200mm	850mm
Depth:	725mm*	530mm
Floor area:	0.9m ²	

* Depth of 725mm includes 25mm rear spacer



Copyright © 2008 SKOPE Industries Limited

CABINET SPECIFICATIONS

Refrigeration system:	Electronically controlled, side mounted, integral refrigeration unit
Electronic controller:	CAREL 'easy' electronic controller
Refrigerant:	Chiller: R134a / 240g, Freezer: R404A / 350g
Nominal capacity:	Chiller: 221 Watts, Freezer: 544 Watts
Cabinet internal volume:	275 litres
Climatic Class:	5
Operating temperature:	Chiller: +1°C to +4°C up to 38°C ambient Freezer: -23°C to -18°C up to 38°C ambient
Electrical:	230-240 Volts a.c. 50 Hz, Chiller: 2.84 Amps, Freezer: 4.08 Amps
Internal lighting:	One 25 Watt light bulb (OSRAM PYGMY CL 25 E14) - Door activated
Power cord:	2m flexible power cord with 3-pin plug
Doors:	Two solid, stainless steel, self-closing doors - LH and RH hinged
Internal door opening size:	Two door openings: 580mm high × 365mm wide
Shelves:	One adjustable shelf per door: 410mm wide × 520mm deep
Weight:	105 kg

SKOPE Industries Limited reserve the right to alter specifications without notice.

PSS0045 Rev. 7.1 Sep. 2016



SKOPE INDUSTRIES LIMITED



New Zealand Freephone: 0800 947 5673, Fax: (03) 983 3896. Australian Freephone: 1800 121 535, Freefax: 1800 121 533

Email: enquiry@skope.co.nz Website: www.skope.co.nz