

specifications

BC180-C

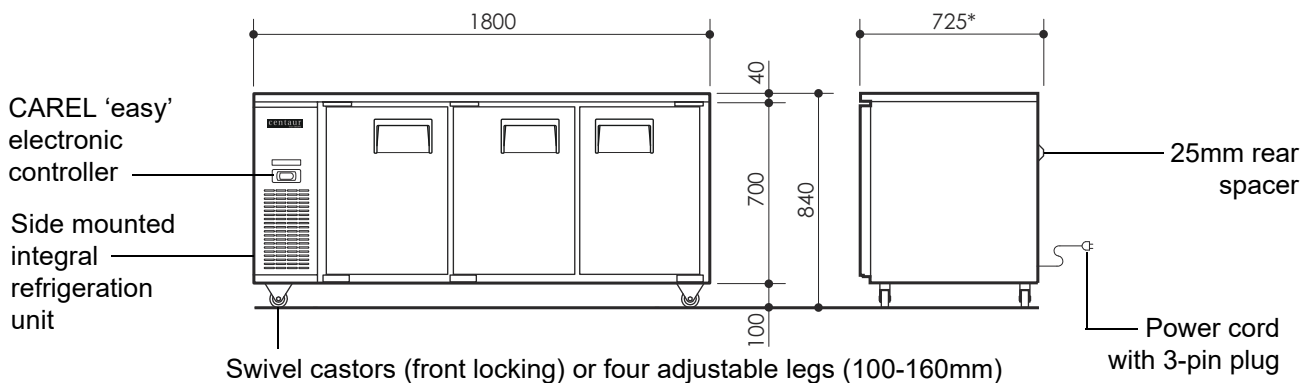
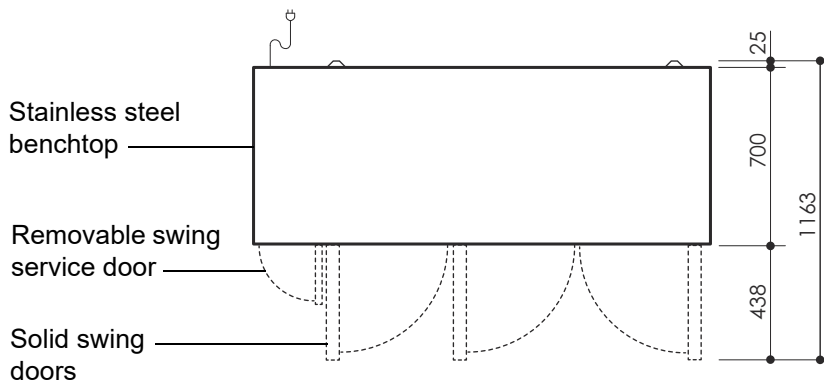
centaur
from SKOPE

Centaur Three Door Under Counter Chiller
Type: BC180-C-3RRRS-E

CABINET DIMENSIONS

	External	Internal
Height:	840mm	610mm
Width:	1800mm	1450mm
Depth:	725mm*	530mm
Floor area:	1.3m ²	

* Depth of 725mm includes 25mm rear spacer



Copyright © 2008 SKOPE Industries Limited

CABINET SPECIFICATIONS

Refrigeration system:	Electronically controlled, side mounted, integral refrigeration unit
Electronic controller:	CAREL 'easy' electronic controller
Refrigerant:	R134a / 370g
Nominal capacity:	221 Watts
Cabinet internal volume:	469 litres
Climatic Class:	5
Operating temperature:	+1°C to +4°C up to 38°C ambient
Drainage:	No plumbing required
Electrical:	230-240 Volts a.c. 50 Hz, 4.21 Amps
Internal lighting:	One 25 Watt light bulb (OSRAM PYGMY CL 25 E14) - Door activated
Power cord:	2m flexible power cord with 3-pin plug
Doors:	Three solid, stainless steel, self-closing doors - LH, LH and RH hinged
Internal door opening size:	Three door openings: 580mm high × 415mm wide
Shelves:	One adjustable shelf per door: Outside shelves 460mm wide × 520mm deep, middle shelf 490mm wide × 520mm deep
Weight:	148 kg

SKOPE Industries Limited reserve the right to alter specifications without notice.

PSS0050 Rev. 7.1 Sep. 2016



SKOPE INDUSTRIES LIMITED



New Zealand Freephone: 0800 947 5673, Fax: (03) 983 3896. Australian Freephone: 1800 121 535, Freefax: 1800 121 533

Email: enquiry@skope.co.nz Website: www.skope.co.nz