

specifications

HB110

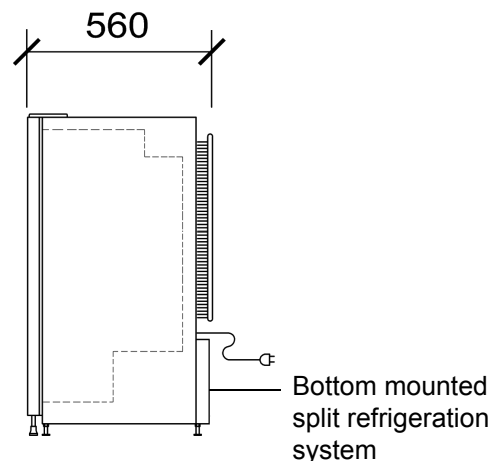
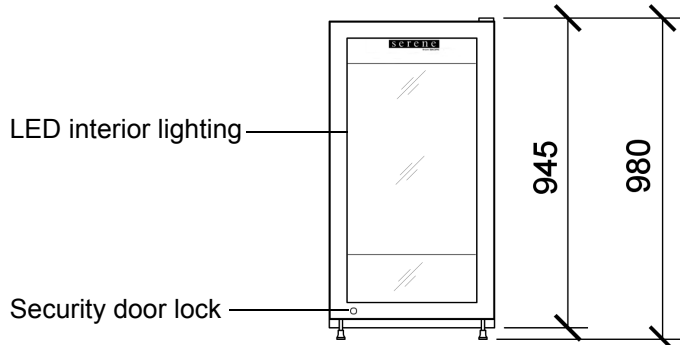
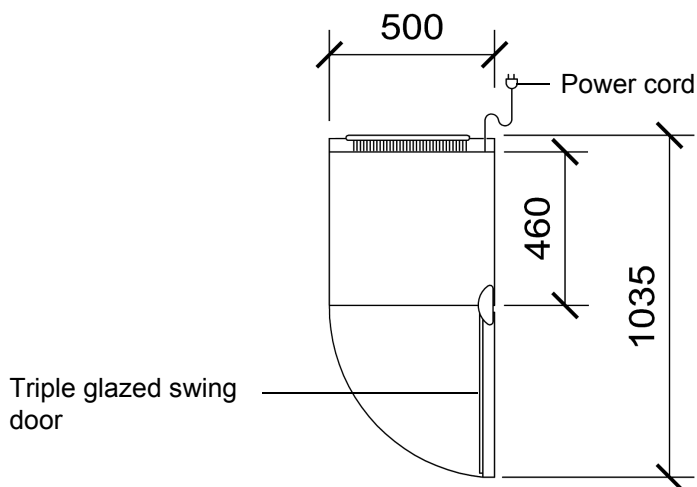
serene

from SKOPE

SERENE Glass Door Vertical Chiller
Type: HB110

CABINET DIMENSIONS

	External	Internal
Height:	980mm	830/620mm
Width:	500mm	410mm
Depth:	560mm	400/250mm
Floor area:	0.28m ²	
Insulation:	35/70mm polyurethane foam	



Copyright © 2008 SKOPE Industries Limited

CABINET SPECIFICATIONS

Refrigeration system:	Bottom mounted split refrigeration system, with adjustable thermostat
Refrigerant:	R134a / 70 grams
Nominal capacity:	60 Watts
Cabinet internal volume:	110 litres
Cabinet temperature range:	1°C to 4°C
Drainage:	No plumbing required
Supply:	220-240 Volts a.c. 50 Hz
Rated Current:	1.30 Amp
Internal lighting:	4 x vertical LED lights (total 6W)
Internal door opening size:	1 door opening: 830mm high x 410mm wide
Door:	Right-hand hinged (non-reversible) with triple glazed argon filled safety-glass
Shelves:	3 white plastic coated wire shelves: 405mm wide x 360mm deep
Total weight:	45 kg

SKOPE Industries Limited reserve the right to alter specifications without notice.

PSS0082 Rev. 3.0 May 2012



SKOPE INDUSTRIES LIMITED



New Zealand Freephone: 0800 947 5673, Fax: (03) 983 3896. Australian Freephone: 1800 121 535, Freefax: 1800 121 533

Email: enquiry@skope.co.nz Website: www.skope.co.nz