

specifications

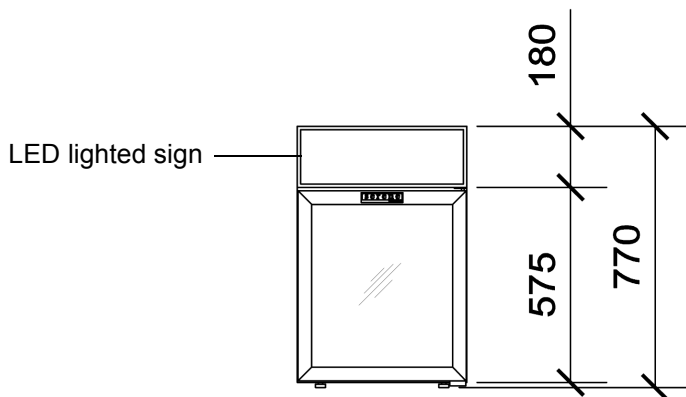
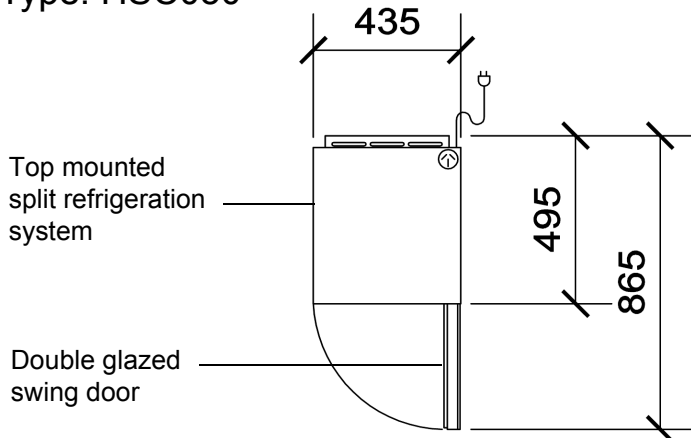
HB50

serene

from SKOPE

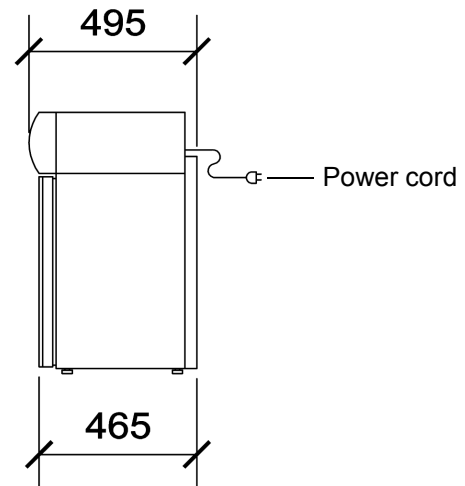
SERENE Counter Top Chiller

Type: HSC050



CABINET DIMENSIONS

	External	Internal
Height:	770mm	480/350mm
Width:	435mm	355mm
Depth:	495mm	295/255mm
Floor area:	0.22m ²	
Insulation:	40mm polyurethane foam	



Copyright © 2007 SKOPE Industries Limited

CABINET SPECIFICATIONS

Refrigeration system:	Top mounted split refrigeration system, with adjustable thermostat
Refrigerant:	R134a / 140 grams
Nominal capacity:	190 Watts
Cabinet internal volume:	48 litres
Cabinet temperature range:	1°C to 4°C
Drainage:	No plumbing required
Supply:	220-240 Volts a.c. 50 Hz
Rated Current:	1.20 Amp
Internal lighting:	2 x 12V 1.8 Watt vertical LED strip (380mm)
Lighted Sign:	1 x 12V 1.5 Watt horizontal LED strip (300mm)
Internal door opening size:	1 door opening: 480mm high x 355mm wide
Door:	Right hand hinged (non-reversible) with double glazed argon filled safety glass
Shelves:	3 white plastic coated wire shelves: 335mm wide x 280mm deep Top shelf is 225mm deep
Total weight:	38 kg

SKOPE Industries Limited reserve the right to alter specifications without notice.

PSS0085 Rev. 3.0 Jan. 2012



SKOPE INDUSTRIES LIMITED



New Zealand Freephone: 0800 947 5673, Fax: (03) 983 3896. Australian Freephone: 1800 121 535, Freefax: 1800 121 533

Email: enquiry@skope.co.nz Website: www.skope.co.nz