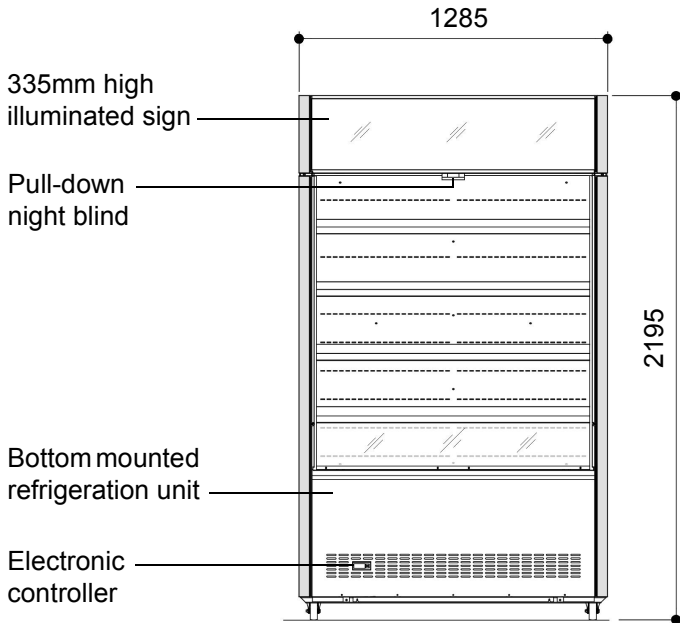
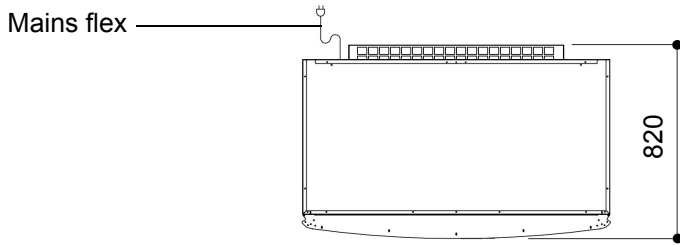


Specifications

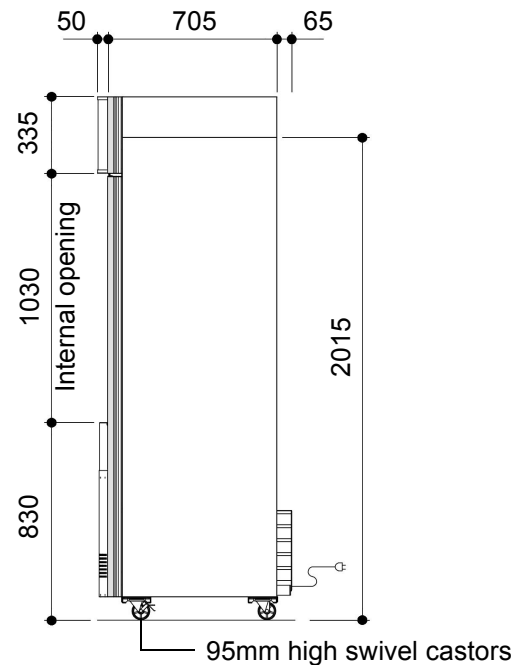
OD1100

Open Deck Chiller (Standard - High Sign)



CABINET DIMENSIONS

	External	Internal
Height:	2195mm	1375mm
Width:	1285mm	1180mm
Depth:	820mm	545mm
Floor area:	1.05m ²	



Copyright © 2006 SKOPE Industries Limited

CABINET SPECIFICATIONS

Refrigeration system:	Electronic controlled, bottom mounted SKOPE Cyclone ® refrigeration unit
Refrigerant / Charge:	R404A / 1500 g
Nominal capacity:	2500 Watts
Cabinet internal volume:	1020 litres
Cabinet temperature range:	0°C to +5°C
Drainage:	No plumbing required
Electrical:	220-240 Volts a.c. 50 Hz, single phase supply, 7.5 Amp
Power cord:	2.5m flexible power cord with 3-pin plug
Internal lighting:	1 x horizontal light: 54 Watt T5 fluorescent tube (Ø16mm x 1150mm)
Sign illumination:	1 x horizontal light: 54 Watt T5 fluorescent tube (Ø16mm x 1150mm)
Internal opening size:	1140mm wide x 1030mm high
Insulation:	50mm polyurethane foam
Shelving:	4 adjustable height and angle top shelves plus 1 fixed angle bottom shelf
Total weight:	285 kg

SKOPE Industries Limited reserve the right to alter specifications without notice.

Rev 2.0 May 2006 edition



SKOPE INDUSTRIES LIMITED



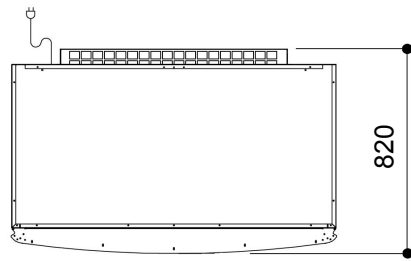
New Zealand Freephone: 0800 947 5673, Fax: (03) 983 3896. Australian Freephone: 1800 121 535, Freefax: 1800 121 533

Email: enquiry@skope.co.nz Website: www.skope.co.nz

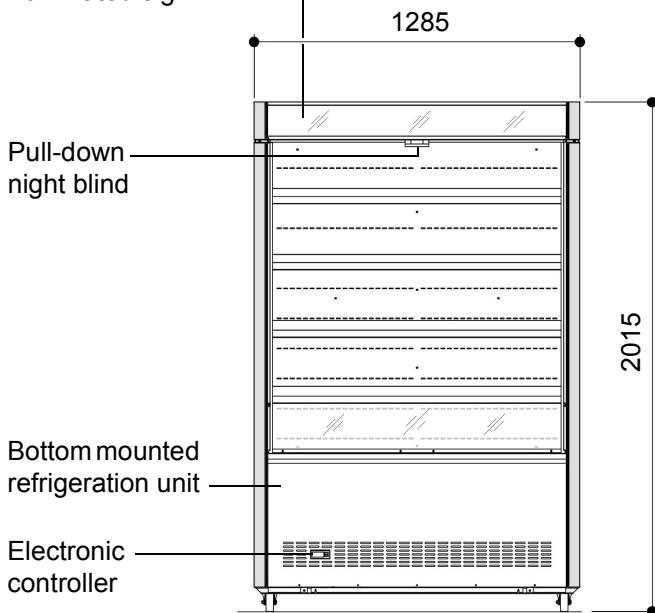
Specifications

OD1100

Open Deck Chiller (Optional - Low Sign)

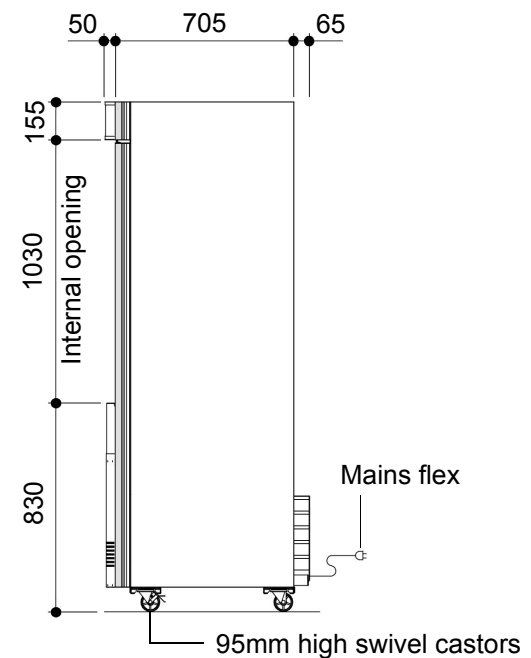


155mm high illuminated sign



CABINET DIMENSIONS

	External	Internal
Height:	2015mm	1375mm
Width:	1285mm	1180mm
Depth:	820mm	545mm
Floor area:	1.05m ²	



Copyright © 2005 SKOPE Industries Limited

CABINET SPECIFICATIONS

Refrigeration system:	Electronic controlled, bottom mounted SKOPE Cyclone ® refrigeration unit
Refrigerant / Charge:	R404A / 1500 g
Nominal capacity:	2500 Watts
Cabinet internal volume:	1020 litres
Cabinet temperature range:	0°C to +5°C
Drainage:	No plumbing required
Electrical:	220-240 Volts a.c. 50 Hz, single phase supply, 7.5 Amp
Power cord:	2.5m flexible power cord with 3-pin plug
Internal lighting:	1 x horizontal light: 54 Watt T5 fluorescent tube (Ø16mm x 1150mm)
Sign illumination:	1 x horizontal light: 54 Watt T5 fluorescent tube (Ø16mm x 1150mm)
Internal opening size:	1140mm wide x 1030mm high
Insulation:	50mm polyurethane foam
Shelving:	4 adjustable height and angle top shelves plus 1 fixed angle bottom shelf
Total weight:	282 kg

SKOPE Industries Limited reserve the right to alter specifications without notice.

Rev 4.0 May 2006 edition



SKOPE INDUSTRIES LIMITED



New Zealand Freephone: 0800 947 5673, Fax: (03) 983 3896. Australian Freephone: 1800 121 535, Freefax: 1800 121 533

Email: enquiry@skope.co.nz Website: www.skope.co.nz