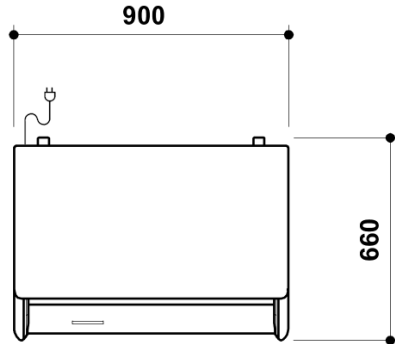


# Specifications

## OD400

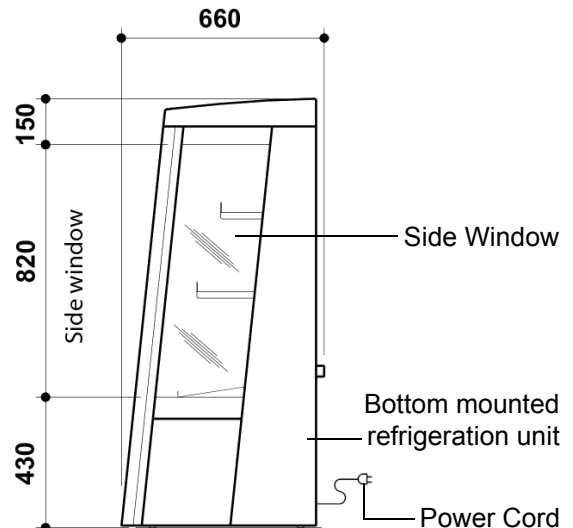
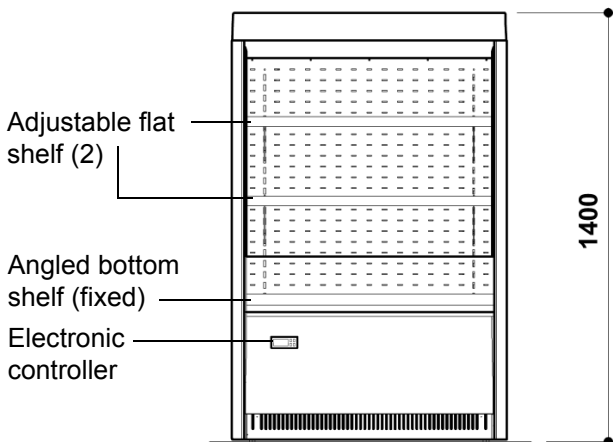
SKOPE Open Deck Chiller

Type: O40CB



### CABINET DIMENSIONS

	External	Internal
<b>Height:</b>	1400mm	850mm
<b>Width:</b>	900mm	820mm
<b>Depth:</b>	660mm	350-450mm
<b>Floor area:</b>	0.594m <sup>2</sup>	



Copyright © 2007 SKOPE Industries Limited

### CABINET SPECIFICATIONS

<b>Refrigeration system:</b>	Electronic controlled, bottom mounted SKOPE refrigeration system
<b>Refrigerant / Charge:</b>	R134a / 920g
<b>Nominal capacity:</b>	907 Watts
<b>Cabinet internal volume:</b>	251 litres
<b>Cabinet temperature range:</b>	0°C to +5°C
<b>Drainage:</b>	No plumbing required
<b>Electrical:</b>	220-240 Volts a.c. 50 Hz, single phase supply, 3.8 Amp
<b>Power cord:</b>	2.5m flexible power cord with 3-pin plug
<b>Internal lighting:</b>	2 vertical lights: 14 Watt T5 fluorescent tube (Ø16mm x 550mm)
<b>Internal opening size:</b>	800mm wide x 645mm high
<b>Insulation:</b>	35mm polyurethane foam
<b>Shelving:</b>	2 adjustable height flat shelves plus 1 fixed angle bottom shelf
<b>Shelf dimensions:</b>	Top shelf: 815mm wide x 235mm deep Middle shelf: 815mm wide x 300mm deep Bottom shelf: 800mm wide x 370mm deep
<b>Total weight:</b>	135 kg

SKOPE Industries Limited reserve the right to alter specifications without notice.

PSS0097 Rev 3.0 Mar. 2012



**SKOPE INDUSTRIES LIMITED**



New Zealand Freephone: 0800 947 5673, Fax: (03) 983 3896. Australian Freephone: 1800 121 535, Freefax: 1800 121 533

Email: enquiry@skope.co.nz Website: www.skope.co.nz