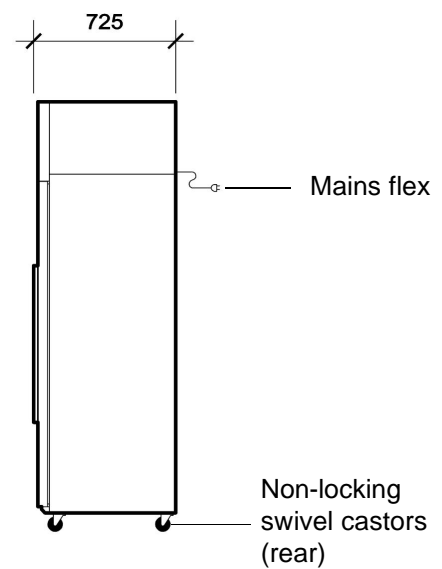
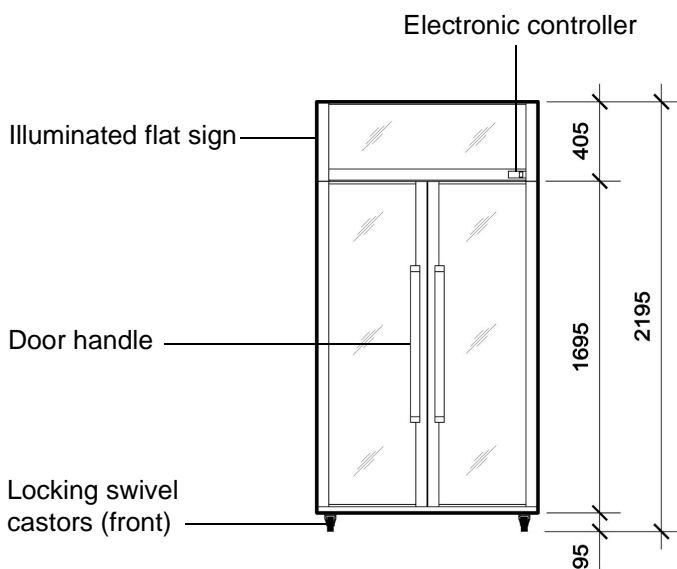
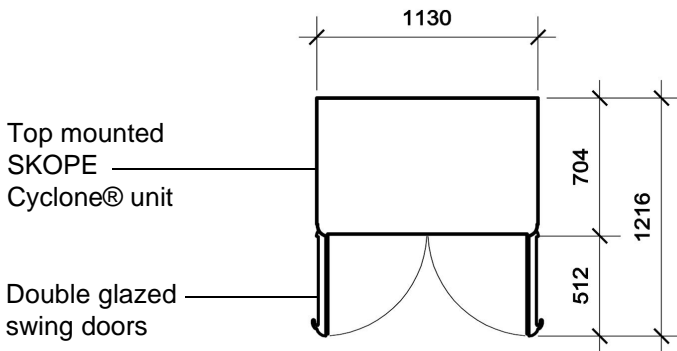


# specifications

## SK1000-3

SKOPE Two Door Vertical Chiller  
Type: P50BG



### CABINET DIMENSIONS

	External	Internal
<b>Height:</b>	2195mm	1570mm
<b>Width:</b>	1130mm	1030mm
<b>Depth:</b>	725mm	555mm
<b>Floor area:</b>	0.82m <sup>2</sup>	
<b>Insulation:</b>	50mm polyurethane foam	

Copyright © 2007 SKOPE Industries Limited

### CABINET SPECIFICATIONS

<b>Refrigeration system:</b>	Top mounted SKOPE Cyclone ® refrigeration unit with electronic control
<b>Refrigeration unit model:</b>	UT42ADD
<b>Refrigerant:</b>	R134a / 450 g
<b>Compressor capacity:</b>	625 Watts
<b>Cabinet internal volume:</b>	980 litres
<b>Cabinet temperature range:</b>	+1°C to +4°C
<b>Climatic class:</b>	5
<b>Electrical:</b>	220-240 Volts a.c. 50 Hz, single phase supply, 3.0 Amp
<b>Internal lighting:</b>	2 x 35 Watt T5 fluorescent tubes (Ø16mm x 1450mm)
<b>Sign illumination:</b>	1 x 21 Watt T5 fluorescent tube (Ø16mm x 850mm)
<b>Internal door opening size:</b>	2 door openings: 1570mm high x 455mm wide
<b>Doors:</b>	Self-closing swing doors with double glazed low E, toughened safety glass
<b>Shelves:</b>	5 layers of adjustable shelves: 1009mm wide x 475mm deep
<b>Total weight:</b>	230 kg

SKOPE Industries Limited reserve the right to alter specifications without notice.

Rev 1.1 June 2008 edition



SKOPE INDUSTRIES LIMITED



New Zealand Freephone: 0800 947 5673, Fax: (03) 983 3896. Australian Freephone: 1800 121 535, Freefax: 1800 121 533

Email: [enquiry@skope.co.nz](mailto:enquiry@skope.co.nz) Website: [www.skope.co.nz](http://www.skope.co.nz)