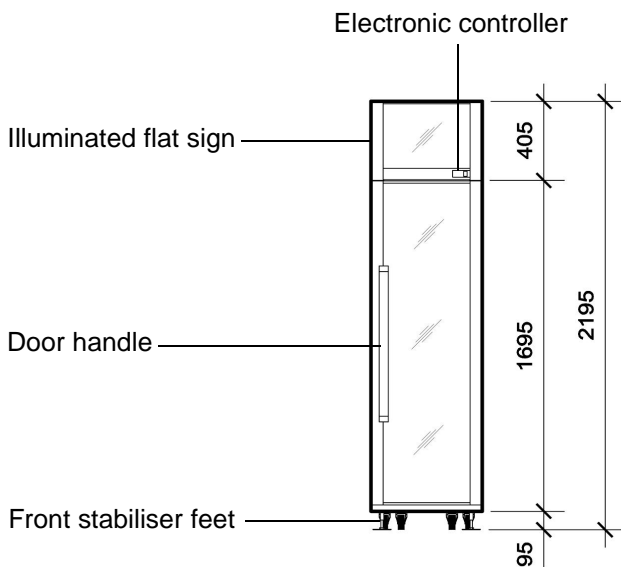
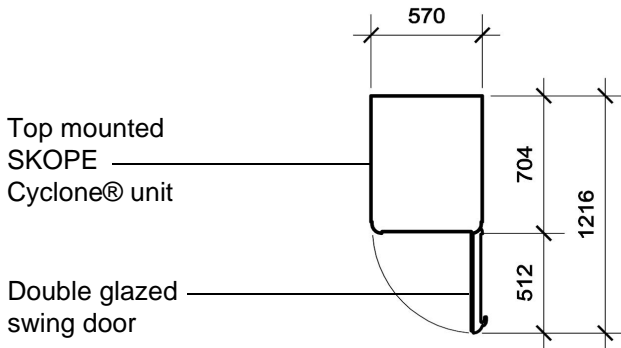


specifications

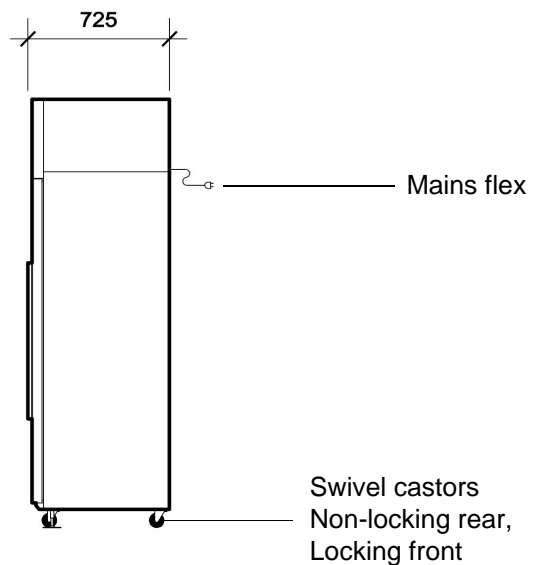
SK500-3

SKOPE Single Door Vertical Chiller
Type: P55BA



CABINET DIMENSIONS

	External	Internal
Height:	2195mm	1570mm
Width:	570mm	470mm
Depth:	725mm	555mm
Floor area:	0.41m ²	
Insulation:	50mm polyurethane foam	



Copyright © 2007 SKOPE Industries Limited

CABINET SPECIFICATIONS

Refrigeration system:	Top mounted SKOPE Cyclone ® refrigeration unit with electronic control
Refrigeration unit model:	UT20ADD
Refrigerant:	R134a / 370 g
Compressor capacity:	581 Watts
Cabinet internal volume:	445 litres
Cabinet temperature range:	+1°C to +4°C
Climatic class:	5
Electrical:	220-240 Volts a.c. 50 Hz, single phase supply, 1.9 Amp
Internal lighting:	Side light: 1 x 35 Watt T5 fluorescent tube (Ø16mm x 1450mm)
Sign illumination:	1 x 8 Watt T5 fluorescent tube (Ø16mm x 288mm)
Internal door opening size:	1 door opening: 1570mm high x 450mm wide
Door:	Self-closing swing door with double glazed low E, toughened safety glass
Shelves:	5 layers of adjustable shelves: 445mm wide x 475mm deep
Total weight:	142 kg

SKOPE Industries Limited reserve the right to alter specifications without notice.

Rev 2.1 June 2008 edition



SKOPE INDUSTRIES LIMITED



New Zealand Freephone: 0800 947 5673, Fax: (03) 983 3896. Australian Freephone: 1800 121 535, Freefax: 1800 121 533

Email: enquiry@skope.co.nz Website: www.skope.co.nz