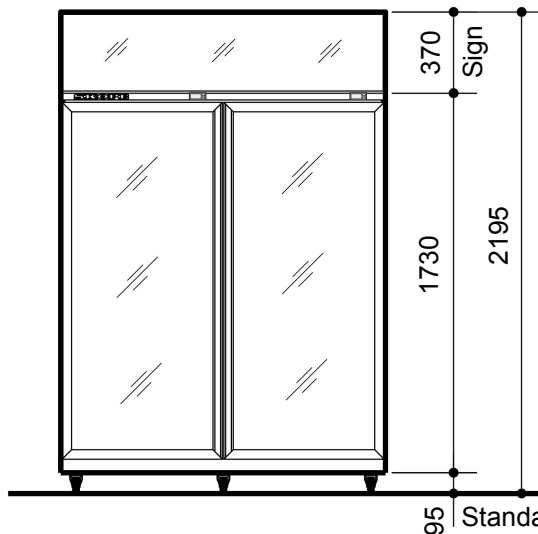
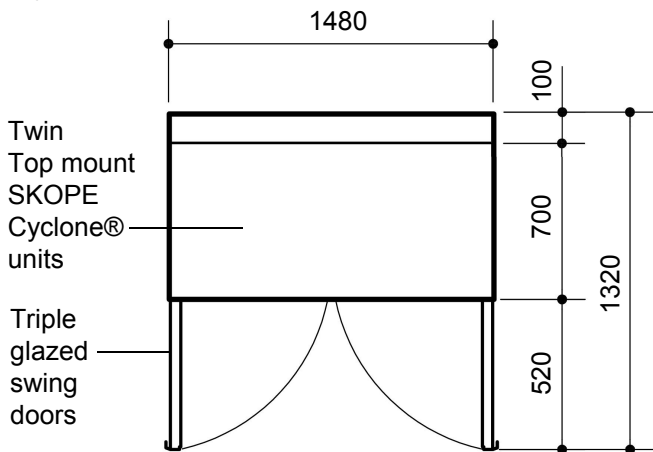


# specifications

## SKF1300

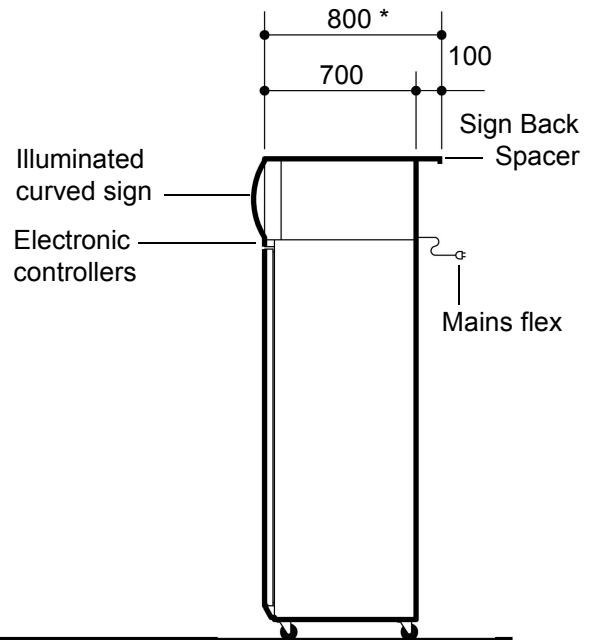
SKOPE Two Door Vertical Freezer  
Type: C2458



### CABINET DIMENSIONS

	External	Internal
<b>Height:</b>	2195mm	1560mm
<b>Width:</b>	1480mm	1330mm
<b>Depth:</b>	800mm *	555mm
<b>Floor area:</b>	1.18m <sup>2</sup>	
<b>Insulation:</b>	75mm polyurethane foam	

\* Depth of 800mm includes 100mm sign back spacer.



Copyright © 2004 SKOPE Industries Limited

### CABINET SPECIFICATIONS

<b>Refrigeration system:</b>	2 x Top mount SKOPE Cyclone ® refrigeration units with electronic control
<b>Refrigerant:</b>	R404A / 650g
<b>Nominal capacity:</b>	2 x 380 Watts (CEOMAF 45°C condenser, -30°C evaporator)
<b>Cabinet internal volume:</b>	1175 litres
<b>Cabinet temperature range:</b>	-18°C to -21°C at 32°C ambient
<b>Drainage:</b>	No plumbing required
<b>Electrical:</b>	220-240 Volts a.c. 50 Hz, single phase supply, 12.7 Amp
<b>Internal lighting:</b>	3 x 36 Watt fluorescent tubes (L36W/21-840), Ø26mm x 1219mm
<b>Sign illumination:</b>	1 x 36 Watt fluorescent tube (L36W/21-840), Ø26mm x 1219mm
<b>Doors:</b>	2 x self-closing, triple glazed, toughened safety glass swing doors
<b>Shelves:</b>	10 shelves: 652mm x 506mm, plus 2 hinged bottom shelves
<b>Total weight:</b>	335 kg

SKOPE Industries Limited reserve the right to alter specifications without notice.

Rev 1.0 Sept. 2004 edition



SKOPE INDUSTRIES LIMITED



New Zealand Freephone: 0800 947 5673, Fax: (03) 983 3896. Australian Freephone: 1800 121 535, Freefax: 1800 121 533

Email: enquiry@skope.co.nz Website: www.skope.co.nz