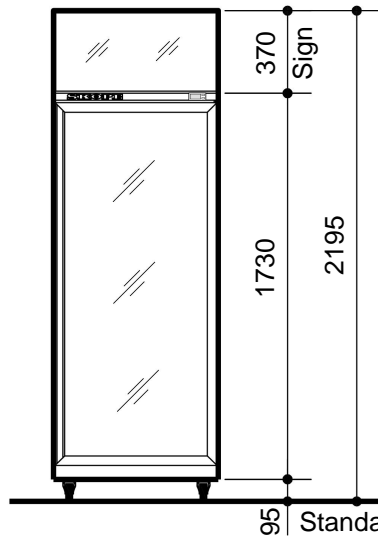
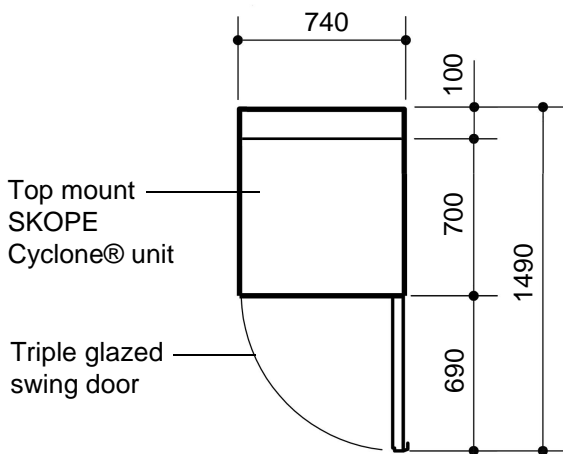


specifications

SKF650

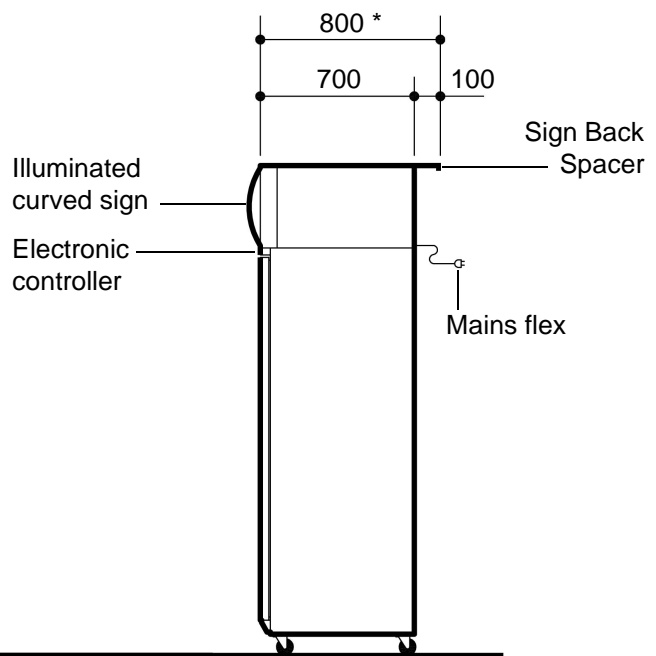
SKOPE Single Door Vertical Freezer
Type: V6398



CABINET DIMENSIONS

	External	Internal
Height:	2195mm	1560mm
Width:	740mm	590mm
Depth:	800mm *	555mm
Floor area:	0.59m ²	
Insulation:	75mm polyurethane foam	

* Depth of 800mm includes 100mm sign back spacer.



Copyright © 2004 SKOPE Industries Limited

CABINET SPECIFICATIONS

Refrigeration system:	Top mount SKOPE Cyclone ® refrigeration unit with electronic control
Refrigerant:	R404A / 700g
Nominal capacity:	695 Watts (CEOMAF 45°C condenser, -30°C evaporator)
Cabinet internal volume:	520 litres
Cabinet temperature range:	-18°C to -21°C at 40°C ambient
Drainage:	No plumbing required
Electrical:	220-240 Volts a.c. 50 Hz, single phase supply, 6.5 Amp
Internal lighting:	1 x 36 Watt fluorescent tube (L36W/21-840), Ø26mm x 1219mm
Sign illumination:	1 x 18 Watt fluorescent tube (L36W/21-840), Ø26mm x 305mm
Doors:	1 self-closing, triple glazed, toughened safety glass swing doors
Shelves:	5 shelves: 575mm x 430mm, plus 1 bottom shelf: 560mm x 470mm
Total weight:	199 kg

SKOPE Industries Limited reserve the right to alter specifications without notice.

PSS0140 Rev 2.0 Sept. 2009



SKOPE INDUSTRIES LIMITED

New Zealand Freephone: 0800 947 5673, Fax: (03) 983 3896. Australian Freephone: 1800 121 535, Freefax: 1800 121 533

Email: enquiry@skope.co.nz Website: www.skope.co.nz

