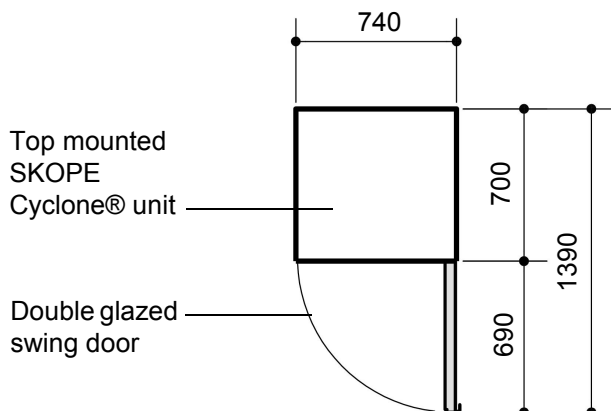


specifications

TME650

SKOPE Single door vertical chiller
Type: V6070

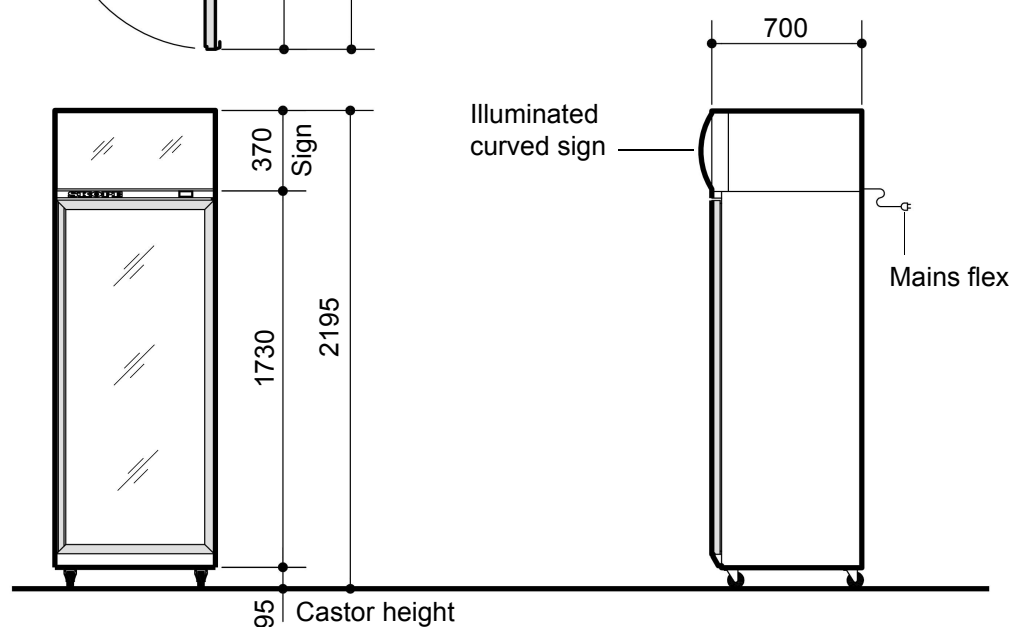


Top mounted
SKOPE
Cyclone® unit

Double glazed
swing door

CABINET DIMENSIONS

| | External | Internal |
|--------------------|------------------------|----------|
| Height: | 2195mm | 1560mm |
| Width: | 740mm | 640mm |
| Depth: | 700mm | 555mm |
| Floor area: | 0.518m ² | |
| Insulation: | 50mm polyurethane foam | |



Illuminated
curved sign

Mains flex

95 Castor height

Copyright © 2006 SKOPE Industries Limited

CABINET SPECIFICATIONS

| | |
|------------------------------------|---|
| Refrigeration system: | Top mounted SKOPE Cyclone ® refrigeration unit |
| Refrigerant: | R134a / 340g |
| Nominal capacity: | 526 Watts |
| Cabinet internal volume: | 610 litres |
| Cabinet temperature range: | +3° C to +5°C |
| Drainage: | No plumbing required |
| Electrical: | 220-240 Volts a.c. 50 Hz, single phase supply, 3.45 Amp |
| Internal lighting: | 1 x 35 Watt T5 fluorescent tubes (Ø16mm x 1450mm) |
| Sign illumination: | 1 x 14 Watt T5 fluorescent tube (Ø16mm x 550mm) |
| Internal door opening size: | 1 door opening: 1560mm high x 640mm wide |
| Doors: | Self-closing swing door with double glazed toughened safety glass |
| Shelves: | 5 shelves: 619mm wide x 475mm deep |
| Total weight: | 173 kg |

SKOPE Industries Limited reserve the right to alter specifications without notice.

Rev 1.0 August 2006 edition



SKOPE INDUSTRIES LIMITED



New Zealand Freephone: 0800 947 5673, Fax: (03) 983 3896. Australian Freephone: 1800 121 535, Freefax: 1800 121 533

Email: enquiry@skope.co.nz Website: www.skope.co.nz