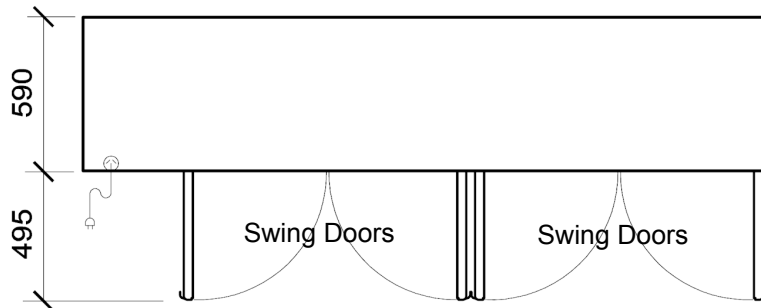


# specifications

## BB780-4SW

SKOPE Backbar  
4 Swing Door Integral Chiller (B2014V)

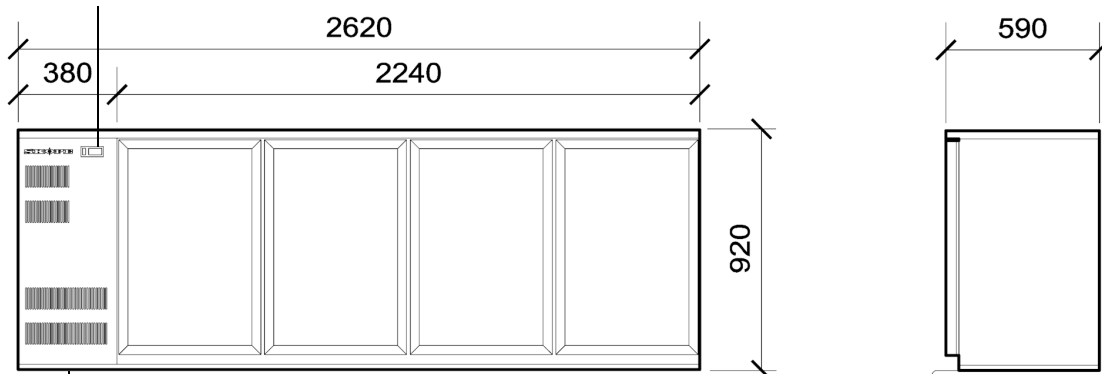


### CABINET DIMENSIONS

	External	Internal
<b>Height:</b>	920mm*	758mm
<b>Width:</b>	2620mm	2140mm
<b>Depth:</b>	590mm	530mm
<b>Floor area:</b>	1.54m <sup>2</sup>	

\* Height excludes castors, legs or optional worktop.

Electronic Controller



Side Mounted Integral Refrigeration Unit

Power Cord with 3-Pin Plug

Copyright © 2008 SKOPE Industries Limited

### CABINET SPECIFICATIONS

<b>Refrigeration system:</b>	Electronic controlled, side mounted, integral refrigeration unit
<b>Refrigerant:</b>	R134a / 425g
<b>Nominal capacity:</b>	750 Watts
<b>Cabinet internal volume:</b>	780 litres
<b>Insulation:</b>	50mm thick, high density cyclo-isopentane polyurethane foam
<b>Cabinet temperature range:</b>	+1°C to +4°C up to 40°C ambient
<b>Drainage:</b>	No plumbing required
<b>Electrical:</b>	230-240 Volts a.c. 50 Hz, 3.8 Amps
<b>Internal lighting:</b>	1 x 24W T8 Frosted LED Tube (Ø26 x 1500mm, 5500K) - Switched
<b>Internal door opening size:</b>	4 door openings: 720mm high x 470mm wide
<b>Doors:</b>	Self-closing, double glazed toughened single Low-E safety glass or solid swing doors - LH and RH hinged
<b>Worktop (optional):</b>	Optional 25mm stainless steel worktop
<b>Shelves:</b>	Two adjustable shelves per door: 495/555mm wide x 440mm deep
<b>Weight:</b>	227 kg

SKOPE Industries Limited reserve the right to alter specifications without notice.

PSS0156 Rev. 2.0 Dec. 2013



**SKOPE INDUSTRIES LIMITED**



New Zealand Freephone: 0800 947 5673, Fax: (03) 983 3896. Australian Freephone: 1800 121 535, Freefax: 1800 121 533

Email: enquiry@skope.co.nz Website: www.skope.com