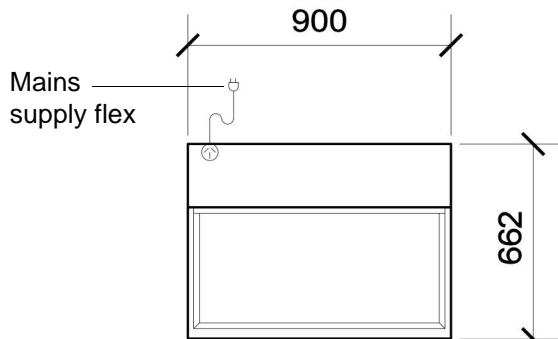


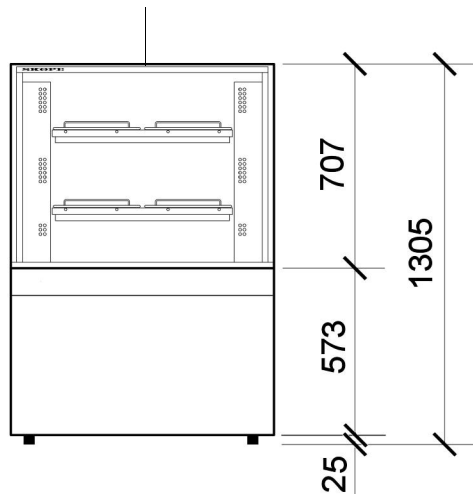
specifications

FDM900i

SKOPE Food Display Cabinet
INTEGRAL Type: F0911



Glass front, sides and top

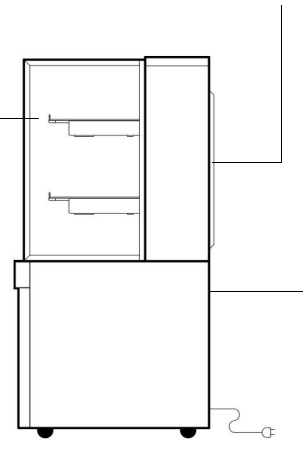


CABINET DIMENSIONS

	External	Internal
Height:	1305mm	800mm
Width:	900mm	600mm
Depth:	662mm	600mm
Floor area:	0.60m ²	

Sliding glass rear doors

Adjustable angle shelves



Electronic controller display with unit and lighting on/off switches

Copyright © 2007 SKOPE Industries Limited

CABINET SPECIFICATIONS

Refrigeration system:	Integral Food Display Refrigeration Unit with electronic controller
Refrigerant:	R134a / 480g
Nominal capacity:	450 Watts
Cabinet internal volume:	288 litres
Insulation:	50mm polyurethane foam
Cabinet temperature range:	+1° C to +7°C in 32° ambient
Drainage:	No plumbing required
Electrical:	220-240 Volts a.c. 50 Hz, single phase supply, 2.0 Amp
Internal lighting:	3 x 14 Watt T5 fluorescent tubes (Ø16mm x 550mm) Daylight 860
Rear doors:	2 double-glazed sliding doors with internal mirror finish
Internal door opening size:	2 rear door openings: 275mm wide x 630mm high
Shelves:	3 shelves (2 adjustable angle): 630mm wide x 440mm deep
Total weight:	160 kg

SKOPE Industries Limited reserve the right to alter specifications without notice.

Rev 3.0 Oct. 2009 edition



SKOPE INDUSTRIES LIMITED



New Zealand Freephone: 0800 947 5673, Fax: (03) 983 3896. Australian Freephone: 1800 121 535, Freefax: 1800 121 533

Email: enquiry@skope.co.nz Website: www.skope.co.nz