

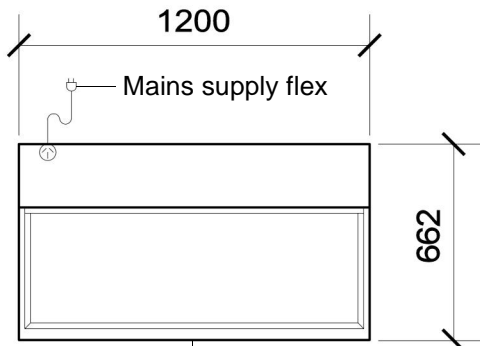
# specifications

## FDM1200i

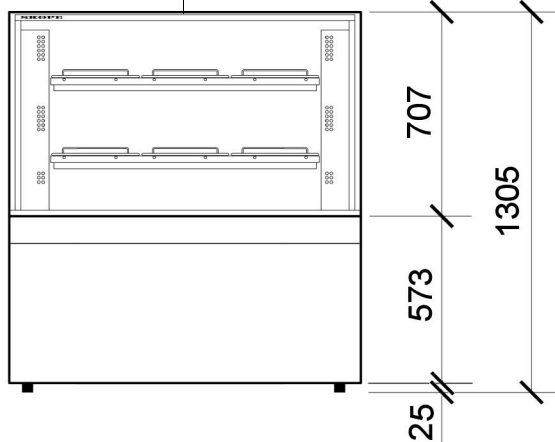
SKOPE Food Display Cabinet  
INTEGRAL Type: F1211

### CABINET DIMENSIONS

	External	Internal
<b>Height:</b>	1305mm	800mm
<b>Width:</b>	1200mm	900mm
<b>Depth:</b>	662mm	600mm
<b>Floor area:</b>	0.79m <sup>2</sup>	

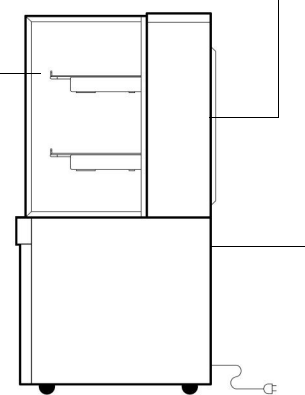


Glass front, sides and top



Adjustable angle shelves

Sliding glass rear doors



Electronic controller display with unit and lighting on/off switches

Copyright © 2007 SKOPE Industries Limited

### CABINET SPECIFICATIONS

<b>Refrigeration system:</b>	Integral Food Display Refrigeration Unit with electronic controller
<b>Refrigerant:</b>	R134a / 480g
<b>Nominal capacity:</b>	540 Watts
<b>Cabinet internal volume:</b>	432 litres
<b>Insulation:</b>	50mm polyurethane foam
<b>Cabinet temperature range:</b>	+1° C to +7°C in 32° ambient
<b>Drainage:</b>	No plumbing required
<b>Electrical:</b>	220-240 Volts a.c. 50 Hz, single phase supply, 2.4 Amp
<b>Internal lighting:</b>	3 x 21 Watt T5 fluorescent tubes (Ø16mm x 850mm) Daylight 860
<b>Rear doors:</b>	2 double-glazed sliding doors with internal mirror finish
<b>Internal door opening size:</b>	2 rear door openings: 390mm wide x 630mm high
<b>Shelves:</b>	3 shelves (2 adjustable angle): 930mm wide x 440mm deep
<b>Total weight:</b>	190 kg

SKOPE Industries Limited reserve the right to alter specifications without notice.

Rev 3.0 Oct. 2009 edition



**SKOPE INDUSTRIES LIMITED**



New Zealand Freephone: 0800 947 5673, Fax: (03) 983 3896. Australian Freephone: 1800 121 535, Freefax: 1800 121 533

Email: enquiry@skope.co.nz Website: www.skope.co.nz