

specifications

PG550HCr-2

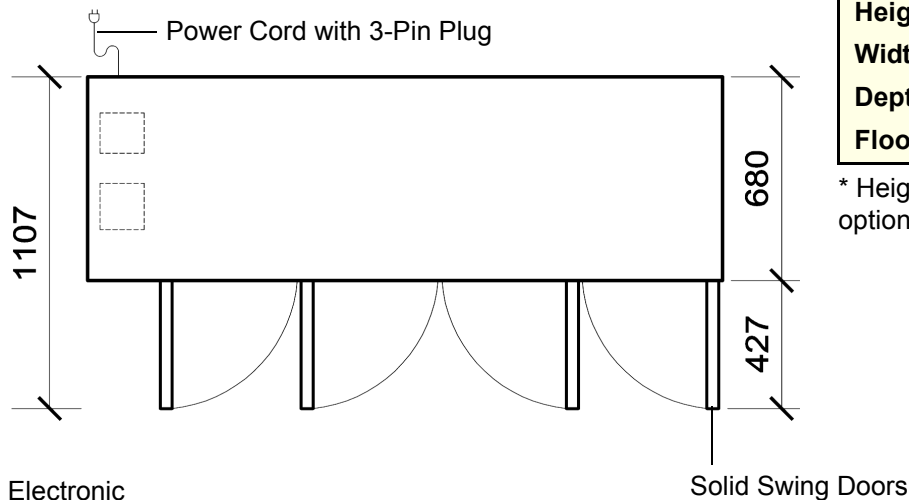
SKOPE Gen2 Pegasus Horizontal 1/1
REMOTE 4 Door Chiller (JH3304)



CABINET DIMENSIONS

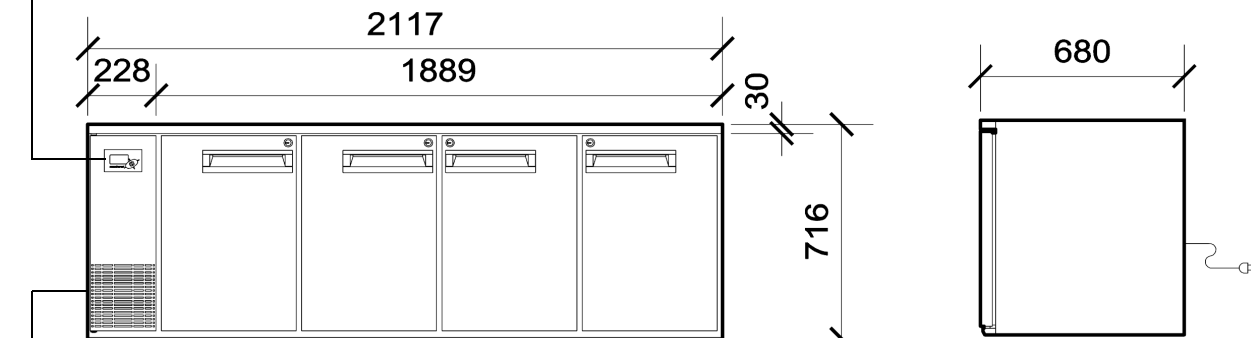
| | External | Internal |
|--------------------|--------------------|----------|
| Height: | 716mm* | 570mm |
| Width: | 2117mm | 1769mm |
| Depth: | 680mm | 545mm |
| Floor area: | 1.44m ² | |

* Height excludes castors, legs or optional worktop.



Electronic
Controller

Solid Swing Doors



Evaporator box and service compartment

Copyright © 2008 SKOPE Industries Limited

CABINET SPECIFICATIONS

| | |
|------------------------------------|--|
| Refrigeration system: | Electronic controlled, side mounted, remote refrigeration unit |
| Refrigerant: | Thermostatic expansion valve fitted as standard to suit R134a or R404A |
| Pipe connection size: | Liquid line: 1/4". Suction line: 3/8" |
| Remote refrigeration duty: | 630 Watts |
| Cabinet internal volume: | 560 litres |
| Insulation: | 60mm thick, high density cyclo-isopentane polyurethane foam |
| Cabinet temperature range: | +1°C to +4°C up to 43°C ambient |
| Drainage: | Evaporator drain fitted inside service compartment (requires plumbing) |
| Electrical: | 230-240 Volts a.c. 50 Hz, 0.69 Amps |
| Internal lighting: | 2 x 5W T8 LED tubes (Ø26 x 360mm) - Door activated |
| Internal door opening size: | 4 door openings: 570mm high x 365mm wide |
| Doors: | Solid stainless steel, self-closing doors (with key lock) - LH & RH hinged |
| Worktop (optional): | Optional 35mm stainless steel worktop with 65mm square edged fascia |
| Shelves: | Two levels of non-tip, adjustable tray slides and/or shelves per door |
| Weight: | 145 kg |

SKOPE Industries Limited reserve the right to alter specifications without notice.

PSS0182 Rev 2.1 Apr. 2016



SKOPE INDUSTRIES LIMITED



New Zealand Freephone: 0800 947 5673, Fax: (03) 983 3896. Australian Freephone: 1800 121 535, Freefax: 1800 121 533

Email: enquiry@skope.co.nz Website: www.skope.co.nz