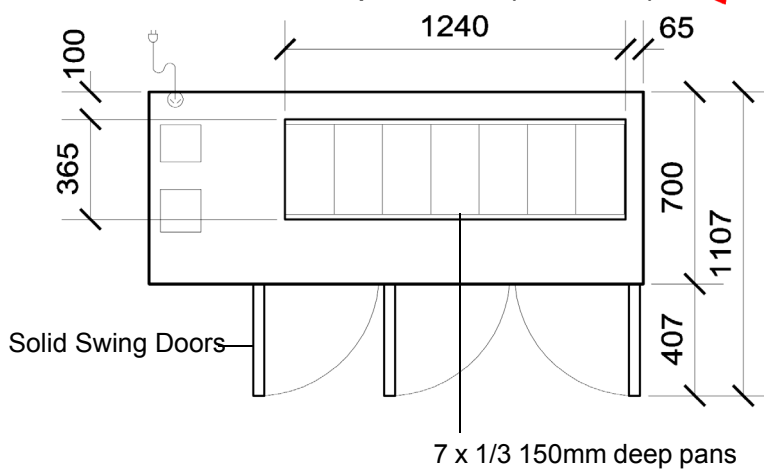


specifications

PG400Prepr-2

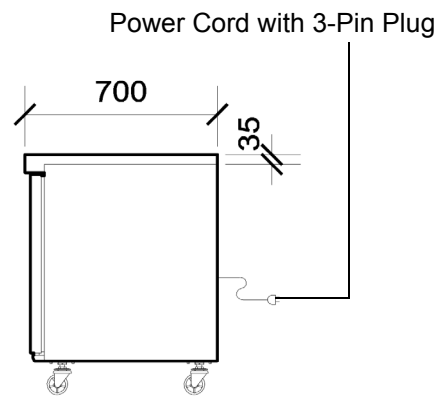
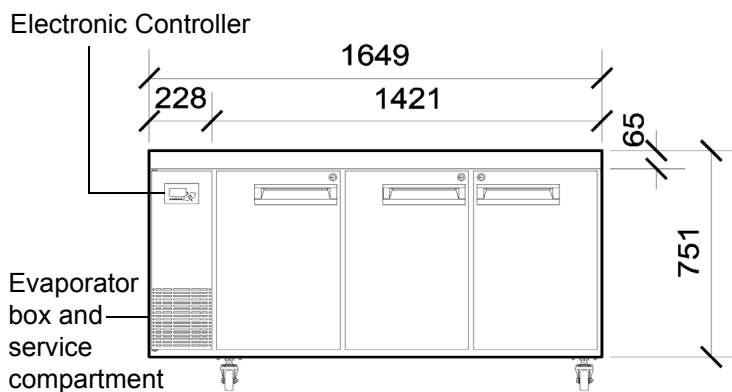
SKOPE Gen2 Pegasus Horizontal 1/1
REMOTE 3 Door Prep Chiller (JH8303)



CABINET DIMENSIONS

	External	Internal
Height:	751mm*	570mm
Width:	1649mm	1301mm
Depth:	700mm	545mm
Floor area:	1.15m ²	

* Height excludes castors or legs.



Copyright © 2008 SKOPE Industries Limited

CABINET SPECIFICATIONS

Refrigeration system:	Electronic controlled, side mounted, remote refrigeration unit
Electronic controller:	CAREL ir33 electronic controller
Refrigerant:	Thermostatic expansion valve fitted as standard to suit R134a or R404A
Pipe connection size:	Liquid line: 1/4". Suction line: 3/8"
Remote refrigeration duty:	706 Watts @ -10°C SST
Cabinet internal volume:	410 litres
Insulation:	60mm thick, high density cyclo-isopentane polyurethane foam
Cabinet temperature range:	+1°C to +5°C up to 30°C ambient
Drainage:	Evaporator drain fitted inside service compartment (requires plumbing)
Electrical:	230-240 Volts a.c. 50 Hz, 4.70 Amps
Internal lighting:	2 x 5W T8 LED tubes (Ø26 x 360mm) - Door activated
Internal door opening size:	3 door openings: 570mm high x 365mm wide
Doors:	Solid stainless steel, self-closing doors (with key lock) - LH & RH hinged
Worktop:	Accepts 7 x 1/3 150mm deep pans or 14 x 1/6 150mm deep pans
Shelves:	Two levels of non-tip, adjustable tray slides and/or shelves per door
Weight:	145 kg

SKOPE Industries Limited reserve the right to alter specifications without notice.

PSS0192 Rev 5.1 Apr. 2016



SKOPE INDUSTRIES LIMITED



New Zealand Freephone: 0800 947 5673, Fax: (03) 983 3896. Australian Freephone: 1800 121 535, Freefax: 1800 121 533

Email: enquiry@skope.co.nz Website: www.skope.co.nz