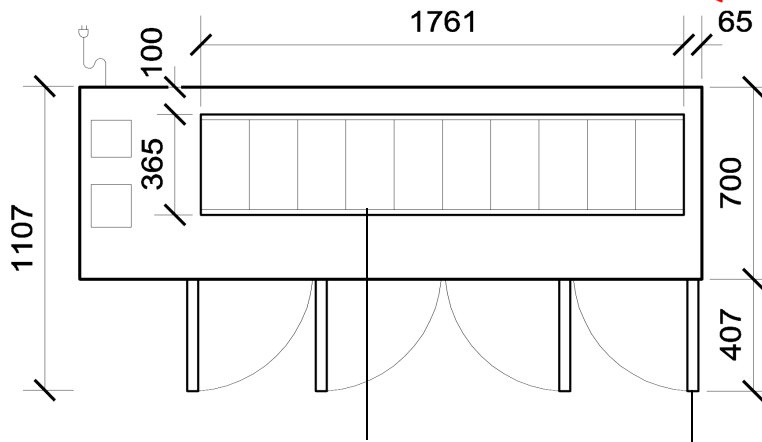


# specifications

## PG550Prepr-2

SKOPE Gen2 Pegasus Horizontal 1/1  
REMOTE 4 Door Prep Chiller (JH8304)

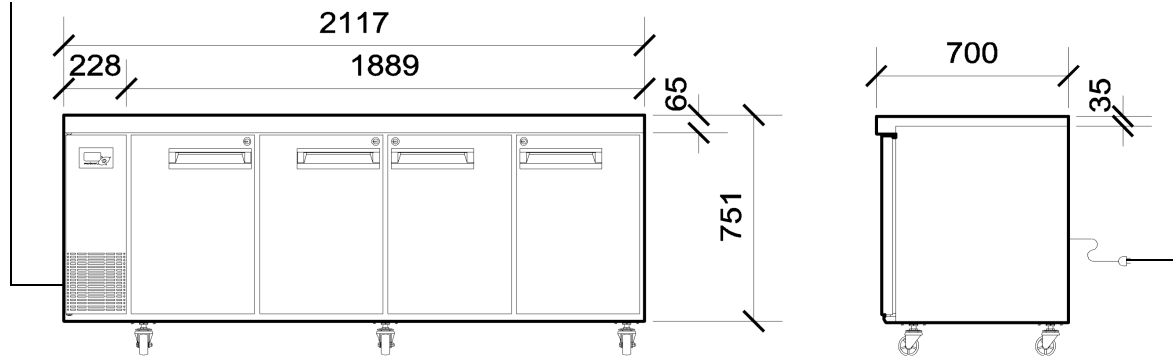


### CABINET DIMENSIONS

	External	Internal
<b>Height:</b>	751mm*	570mm
<b>Width:</b>	2117mm	1769mm
<b>Depth:</b>	700mm	545mm
<b>Floor area:</b>	1.48m <sup>2</sup>	

\* Height excludes castors or legs.

Evaporator box and service compartment      10 x 1/3 150mm deep pans      Solid Swing Doors      Power Cord with 3-Pin Plug



Copyright © 2008 SKOPE Industries Limited

### CABINET SPECIFICATIONS

<b>Refrigeration system:</b>	Electronic controlled, side mounted, remote refrigeration unit
<b>Electronic controller:</b>	CAREL ir33 electronic controller
<b>Refrigerant:</b>	Thermostatic expansion valve fitted as standard to suit R134a or R404A
<b>Pipe connection size:</b>	Liquid line: 1/4". Suction line: 3/8"
<b>Remote refrigeration duty:</b>	706 Watts @ -10°C SST
<b>Cabinet internal volume:</b>	560 litres
<b>Insulation:</b>	60mm thick, high density cyclo-isopentane polyurethane foam
<b>Cabinet temperature range:</b>	+1°C to +5°C up to 30°C ambient
<b>Drainage:</b>	Evaporator drain fitted inside service compartment (requires plumbing)
<b>Electrical:</b>	230-240 Volts a.c. 50 Hz, 4.86 Amps
<b>Internal lighting:</b>	2 x 5W T8 LED tubes (Ø26 x 360mm) - Door activated
<b>Internal door opening size:</b>	4 door openings: 570mm high x 365mm wide
<b>Doors:</b>	Solid stainless steel, self-closing doors (with key lock) - LH & RH hinged
<b>Worktop (optional):</b>	Accepts 10 x 1/3 150mm deep pans or 20 x 1/6 150mm deep pans
<b>Shelves:</b>	Two levels of non-tip, adjustable tray slides and/or shelves per door
<b>Weight:</b>	160 kg

SKOPE Industries Limited reserve the right to alter specifications without notice.

PSS0194 Rev 5.1 Apr. 2016



**SKOPE INDUSTRIES LIMITED**



New Zealand Freephone: 0800 947 5673, Fax: (03) 983 3896. Australian Freephone: 1800 121 535, Freefax: 1800 121 533

Email: enquiry@skope.co.nz Website: www.skope.co.nz