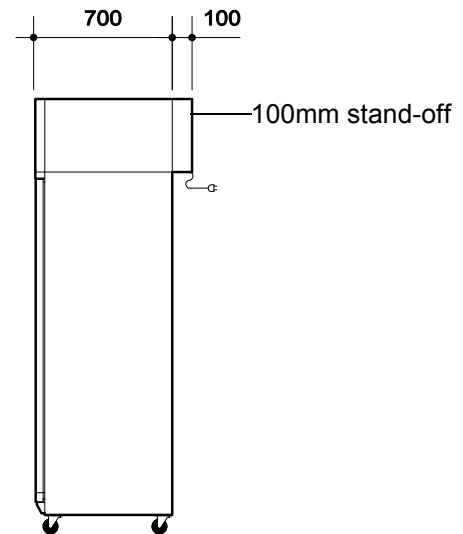
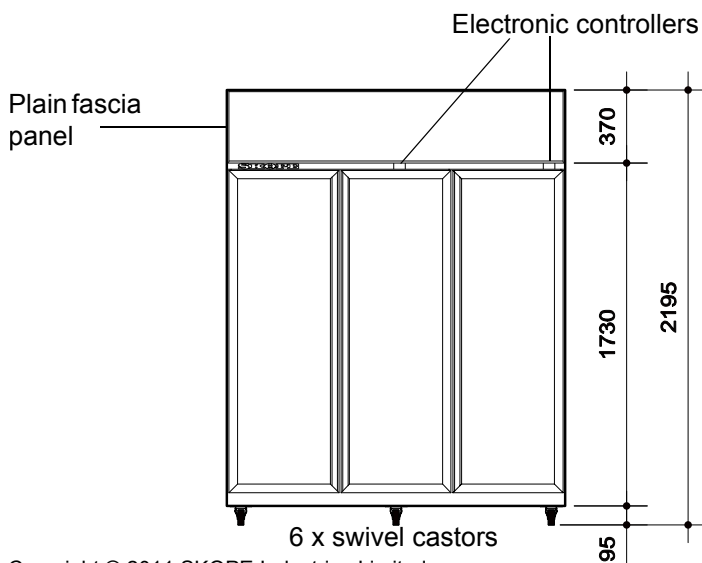
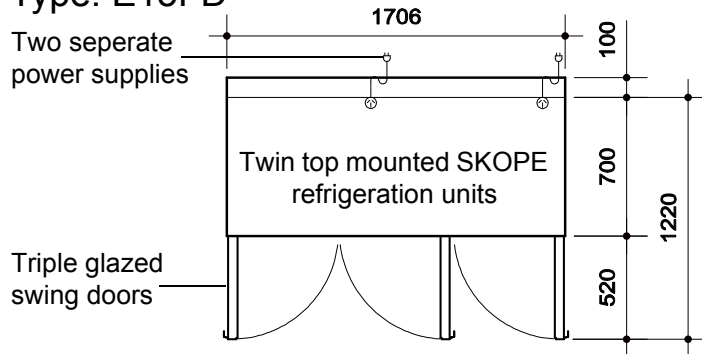


specifications

TMEF1500

SKOPE Glass Door Vertical Freezer

Type: E15FD



CABINET DIMENSIONS

	External	Internal
Height:	2195mm	1560mm
Width:	1706mm	1606mm
Depth:	800mm	555mm
Floor area:	1.36m ² (includes 100mm stand-off)	

Copyright © 2011 SKOPE Industries Limited

CABINET SPECIFICATIONS

Refrigeration system:	Twin electronically controlled, integral, top mounted refrigeration units
Electronic Controller:	CAREL ir32
Refrigerant:	R404A / 700g x 2
Nominal capacity:	950 Watts x 2 (1900 Watts) (CECOMAF 45°C condenser, -30°C evaporator)
Cabinet internal volume:	1526 litres
Insulation:	50mm polyurethane foam
Cabinet temperature range:	-18°C to -21°C at 32°C ambient
Drainage:	No plumbing required
Electrical:	220-240 Volts a.c. 50 Hz, single phase supply, 14.94 Amps
Internal lighting:	2 x centre pillar lights: 58W T8 fluorescent tubes (Ø26mm x 1524mm)
Sign illumination:	n.a.
Internal door opening size:	3 openings: 2 x 1570mm x 455mm (outside), 1 x 1570mm x 478mm (centre)
Doors:	Three self-closing, aluminium framed, heated, triple glazed swing doors
Shelves:	10 outside shelves: 502 x 530mm, 5 centre shelves: 571mm x 530mm
Total weight:	300 kg

SKOPE Industries Limited reserve the right to alter specifications without notice.

PSS0269 Rev. 1.1 May 2011



SKOPE INDUSTRIES LIMITED

New Zealand Freephone: 0800 947 5673, Fax: (03) 983 3896. Australian Freephone: 1800 121 535, Freefax: 1800 121 533

Email: enquiry@skope.co.nz Website: www.skope.co.nz

