

# specifications

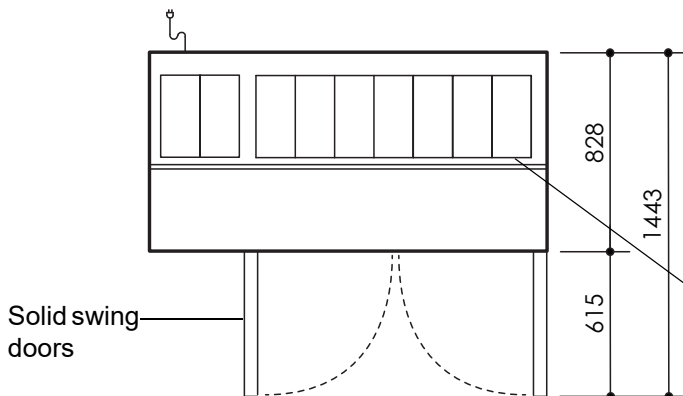
## PG500Pizzar

SKOPE Pegasus Horizontal 2/1  
REMOTE 2 Door Pizza Chiller (JK6302)

### CABINET DIMENSIONS

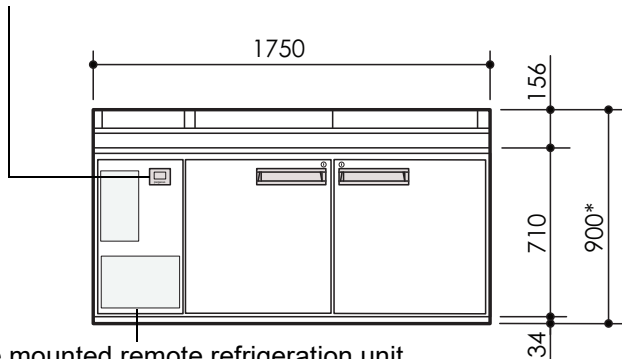
	External	Internal
<b>Height:</b>	900mm*	565mm
<b>Width:</b>	1750mm	1250mm
<b>Depth:</b>	830mm	650mm
<b>Floor area:</b>	1.45m <sup>2</sup>	

\* Height includes plinth and worktop (excludes castors and adjustable legs).

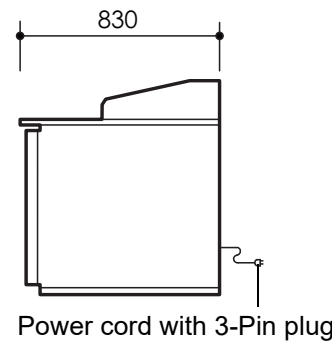


7 x 1/3 150mm deep pans (refrigerated) & 2 x 1/3 65mm deep pans (ambient) with 3 pan lids. Pan lids must be in place when pans not in use.

Electronic controller



Side mounted remote refrigeration unit



Power cord with 3-Pin plug

Copyright © 2012 SKOPE Industries Limited

### CABINET SPECIFICATIONS

<b>Refrigeration system:</b>	Electronic controlled, side mounted, remote refrigeration unit
<b>Refrigerant:</b>	Thermostatic expansion valve fitted as standard to suit R134a or R404A
<b>Pipe connection size:</b>	Liquid line: 1/4". Suction line: 3/8"
<b>Remote refrigeration duty:</b>	706 Watts @ -10°C SST
<b>Cabinet internal volume:</b>	480 litres
<b>Insulation:</b>	60mm thick, high density cyclo-isopentane polyurethane foam
<b>Cabinet temperature range:</b>	+1°C to +5°C up to 30°C ambient
<b>Drainage:</b>	Evaporator drain fitted inside service compartment (requires plumbing)
<b>Electrical:</b>	230-240 Volts a.c. 50 Hz, 0.49 Amps
<b>Internal lighting:</b>	n.a.
<b>Internal door opening size:</b>	2 door openings: 565mm high x 565mm wide
<b>Doors:</b>	Solid stainless steel, self-closing doors (with key lock) - LH & RH hinged
<b>Worktop:</b>	Worktop accepts 7 x 1/3 150mm deep refrigerated pans & 2 x 1/3 65mm deep ambient pans
<b>Shelves:</b>	2 shelves & adjustable tray slides per door (530mm wide x 650mm deep)
<b>Weight:</b>	130 kg

SKOPE Industries Limited reserve the right to alter specifications without notice.

PSS0327 Rev. 1.4 Oct. 2017



**SKOPE INDUSTRIES LIMITED**



New Zealand Freephone: 0800 947 5673, Fax: (03) 983 3896. Australian Freephone: 1800 121 535, Freefax: 1800 121 533

Email: enquiry@skope.co.nz Website: www.skope.co.nz