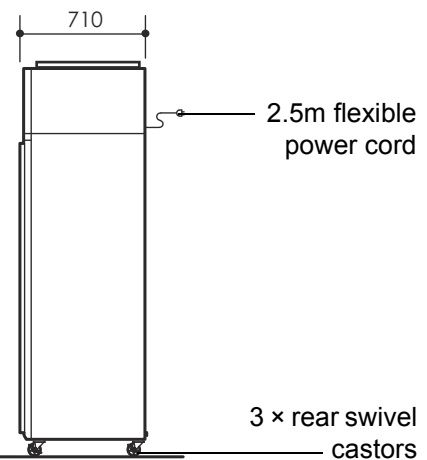
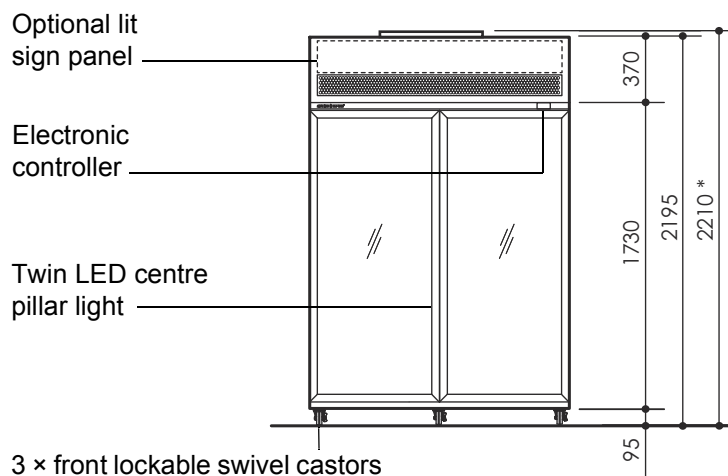
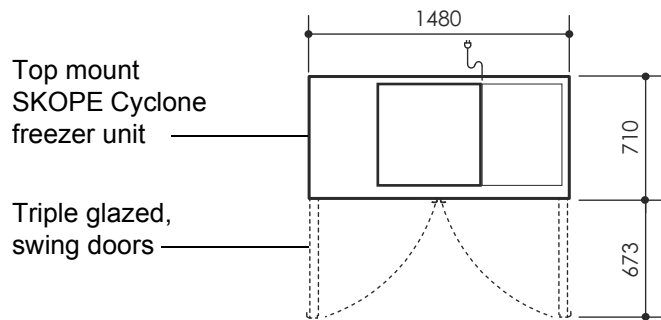


specifications

VF1300-ICE

SKOPE Glass Door Ice Storage Cabinet
Type: V13IV



CABINET DIMENSIONS

	External	Internal
Height:	2210mm*	1570mm
Width:	1480mm	1380mm
Depth:	710mm	555mm
Floor area:	1.05m ²	
Insulation:	50mm polyurethane foam	

* Height includes evaporator box lid

Copyright © 2013 SKOPE Industries Limited

CABINET SPECIFICATIONS

Refrigeration system:	Top mounted SKOPE Cyclone freezer unit (UF50AAD)
Electronic Controller:	CAREL ir33 electronic controller (VF-ICE BN3 set)
Refrigerant:	R404A / 1150 g
Nominal capacity:	1846 Watts @ -20°C evaporator, 50°C condenser
Cabinet internal volume:	1310 litres
Cabinet temperature range:	-9°C to -12°C in 32°C
Drainage:	No plumbing required
Electrical:	220-240 Volts a.c. 50 Hz. Total 9.0 Amps
Internal lighting:	1 x centre pillar light: Twin 22 Watt T8 LED tube (Ø26 x 1500mm)
Sign lighting:	Not as standard. Optional vented lit sign panel: 1 x 20 Watt T8 Frosted LED tube (Ø26 x 1200mm)
Internal door opening size:	2 x door openings: 1570mm high x 650mm wide
Doors:	2 x self-closing, triple glazed, heated, toughened safety glass swing door
Shelves:	2 x heavy duty ice shelves: 677mm wide x 460mm deep
Total weight:	301 kg

SKOPE Industries Limited reserve the right to alter specifications without notice.

PSS0333 Rev. 5.0 May 2015



SKOPE INDUSTRIES LIMITED



New Zealand Freephone: 0800 947 5673, Fax: (03) 983 3896. Australian Freephone: 1800 121 535, Freefax: 1800 121 533

Email: enquiry@skope.co.nz Website: www.skope.co.nz