

specifications

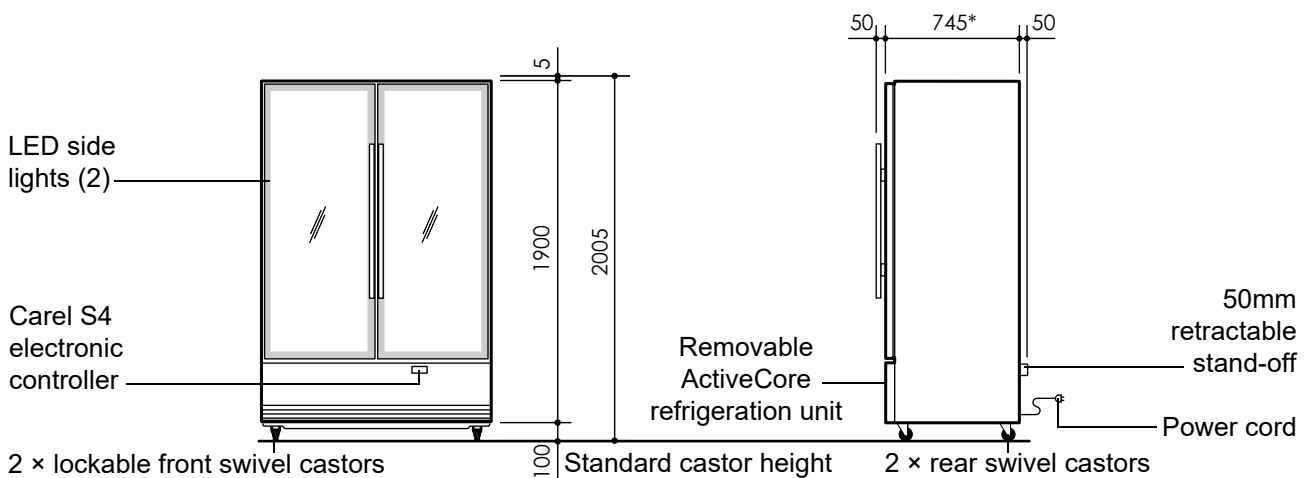
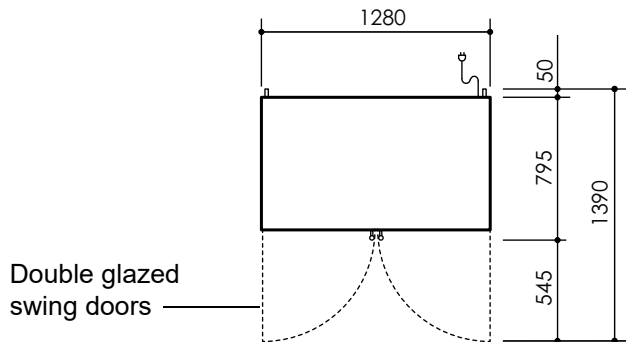
BME1200-A

ActiveCore™ Bottom Mount Vertical Chiller
Type: SM12GV (side lights)

CABINET DIMENSIONS

	External	Internal
Height:	2005mm	1454mm
Width:	1280mm	1180mm
Depth:	795mm	602mm
Floor area:	1.08m ² (includes rear spacer)	

* Dimension 745 excludes removable door handles and lock brackets



Copyright © 2015 SKOPE Industries Limited

CABINET SPECIFICATIONS

Refrigeration system:	Removable ActiveCore bottom mount refrigeration unit (UBHCCI-0001)
Electronic controller:	Carel S4
Refrigerant:	R134a / 380g
Nominal capacity:	836 Watts
Cabinet internal volume:	1079 litres
Cabinet temperature range:	1°C to 4°C (adjustable up to 15°C)
Climate class:	5. Tested at 43°C
Drainage:	No plumbing required
Electrical:	220-240 Volts a.c. 50 Hz, single phase supply, 4.5 Amps
Internal lighting:	2 x side lights: 20 Watt T8 LED tube (Ø26mm x 1350mm)
Sign lighting:	n.a.
Doors:	2 x self-closing, double glazed, single Low-E, argon filled, toughened safety glass swing doors (hinged LH and RH)
Shelves:	8 x adjustable height wire shelves (577mm wide x 519mm deep) and 2 x bottom shelves (584mm wide x 515mm deep)
Total weight:	245 kg

SKOPE Industries Limited reserve the right to alter specifications without notice.

PSS0411 Rev. 2.2 Jun. 2016



SKOPE INDUSTRIES LIMITED



New Zealand Freephone: 0800 947 5673, Fax: (03) 983 3896. Australian Freephone: 1800 121 535, Freefax: 1800 121 533

Email: enquiry@skope.co.nz Website: www.skope.co.nz